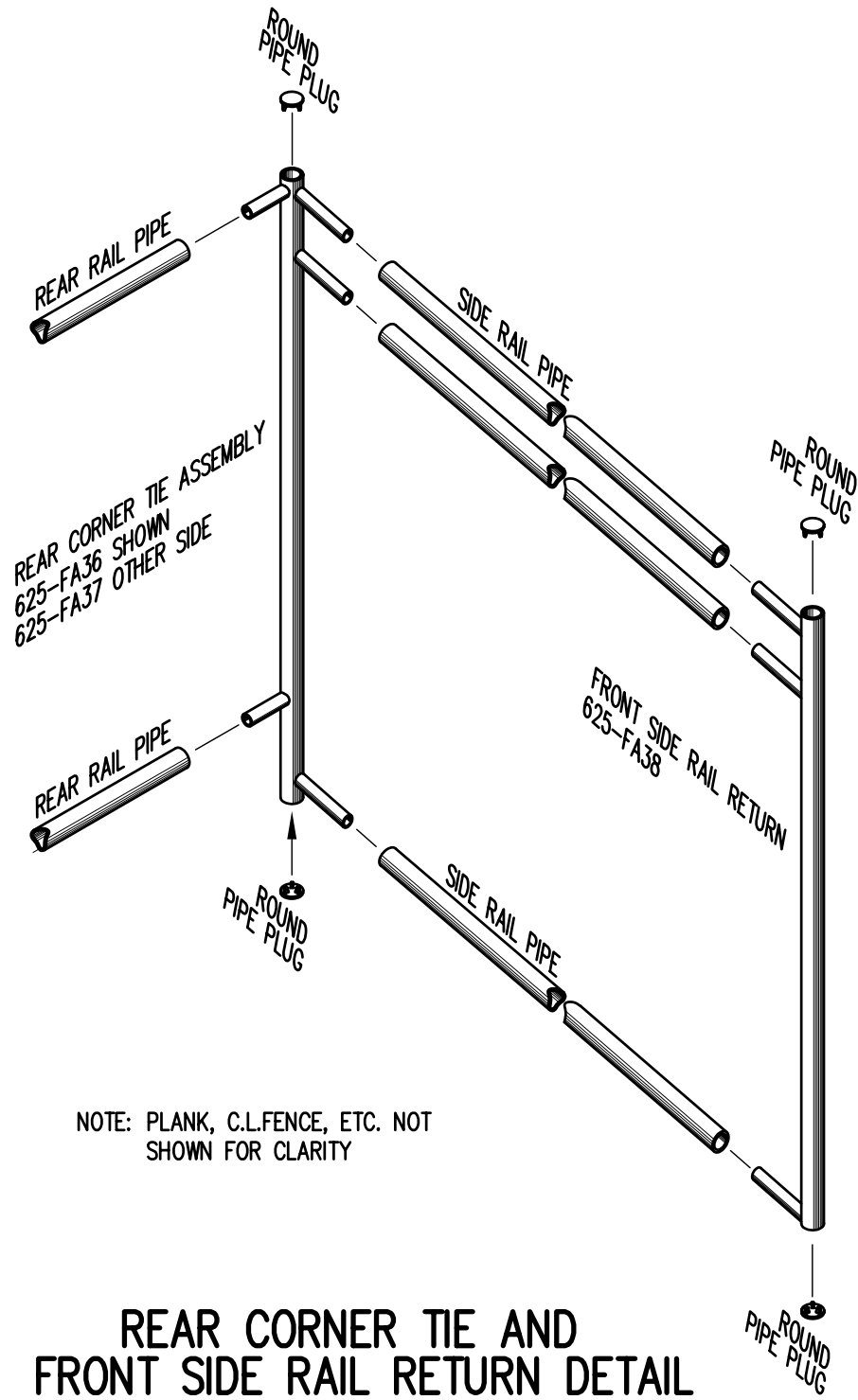


BOLT CLIP DETAIL

1.1/2" = 1'-0"



REAR CORNER TIE AND FRONT SIDE RAIL RETURN DETAIL

3/4" = 1'-0"

NOTE: PLANK, C.L.FENCE, ETC. NOT SHOWN FOR CLARITY

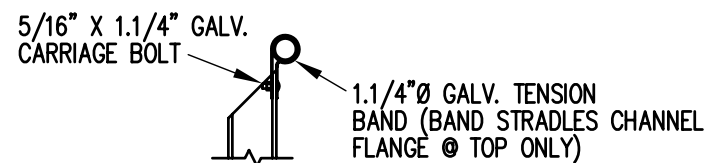


FIG.1 FIG.2

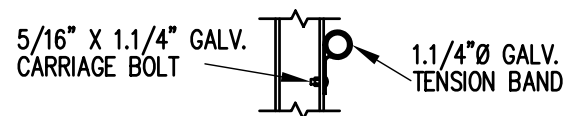
- 1) LOCATE THE CHANNEL END CAP AS SHOWN IN FIG. 1.
- 2) TAP END CAP INTO PLACE WITH RUBBER Mallet OR SOFT WOOD. FIG.2
- 3) DRILL TWO 5/32" HOLES THROUGH THE BOTTOM FLANGE AND THE BOTTOM OUTSIDE PLANK FLANGES. INSTALL TWO 3/16" x 1/4" RIVETS. (2 PER PLANK)

END CAP DETAIL

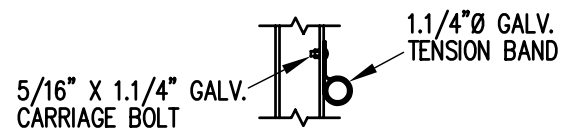
N.T.S.



TOP RAIL

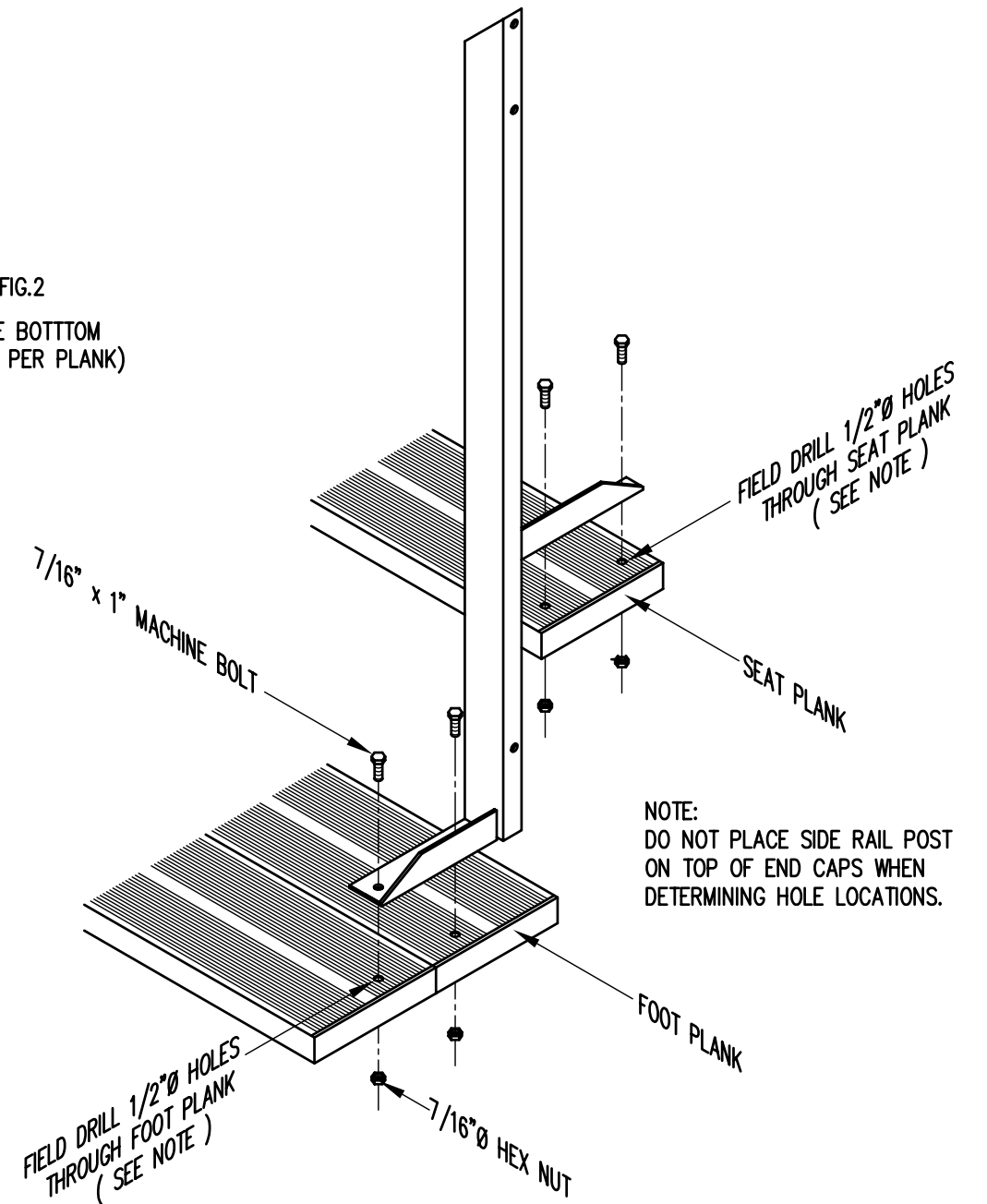


MID RAIL



LOWER RAIL

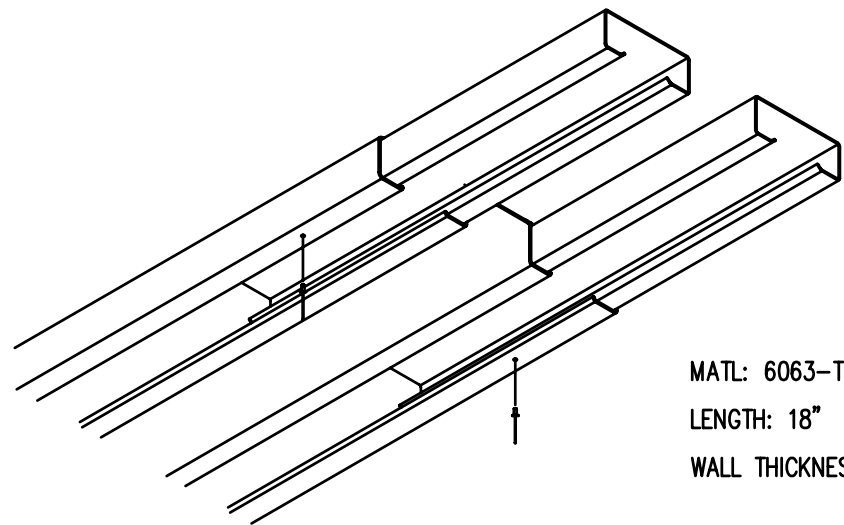
3/4" = 1'-0"



TYP. SIDE RAIL POST ATTACHMENT

1" = 1'-0"

		P.O. BOX 118 GENEVA, ALABAMA 36340 334-684-2296			
		SCALE	AS NOTED	REVISIONS	BY
DATE	11/2/00	SIDE GUARDRAIL TO OUTSIDE		WHW	03/02
DR'N	SS	CKD			
AP'VD					
TITLE				NO.	
TYPICAL DETAILS				684-E1990	



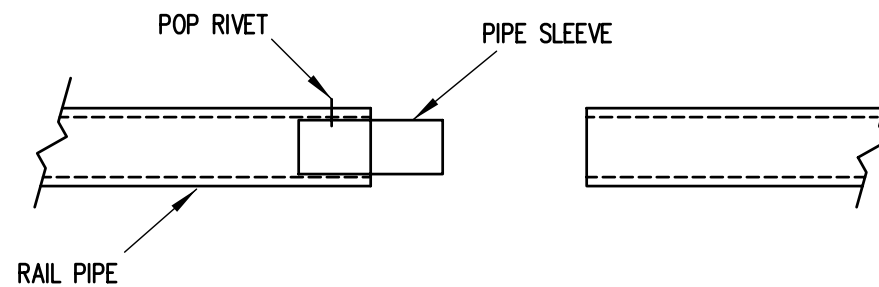
MATL: 6063-T6 ALUMN.
 LENGTH: 18"
 WALL THICKNESS: .062"

- 1) INSERT SLEEVES APPROXIMATELY HALFWAY INTO THE PLANK WITH THE ENDS STAGGERED ABOUT 1/2". FASTEN SLEEVE WITH (1) ALUMINUM POP RIVET.
- 2) SLIDE THE END OF THE ADJOINING PLANK OVER THE SLEEVES UNTIL THE TWO PLANKS ARE SNUG.

NOTE: SLEEVES SHOULD BE ATTACHED ON ONLY ONE END TO ALLOW FOR EXPANSION.

PLANK SPLICE SLEEVE ASSEMBLY

(TYP. @ ALL PLANK SPLICES)




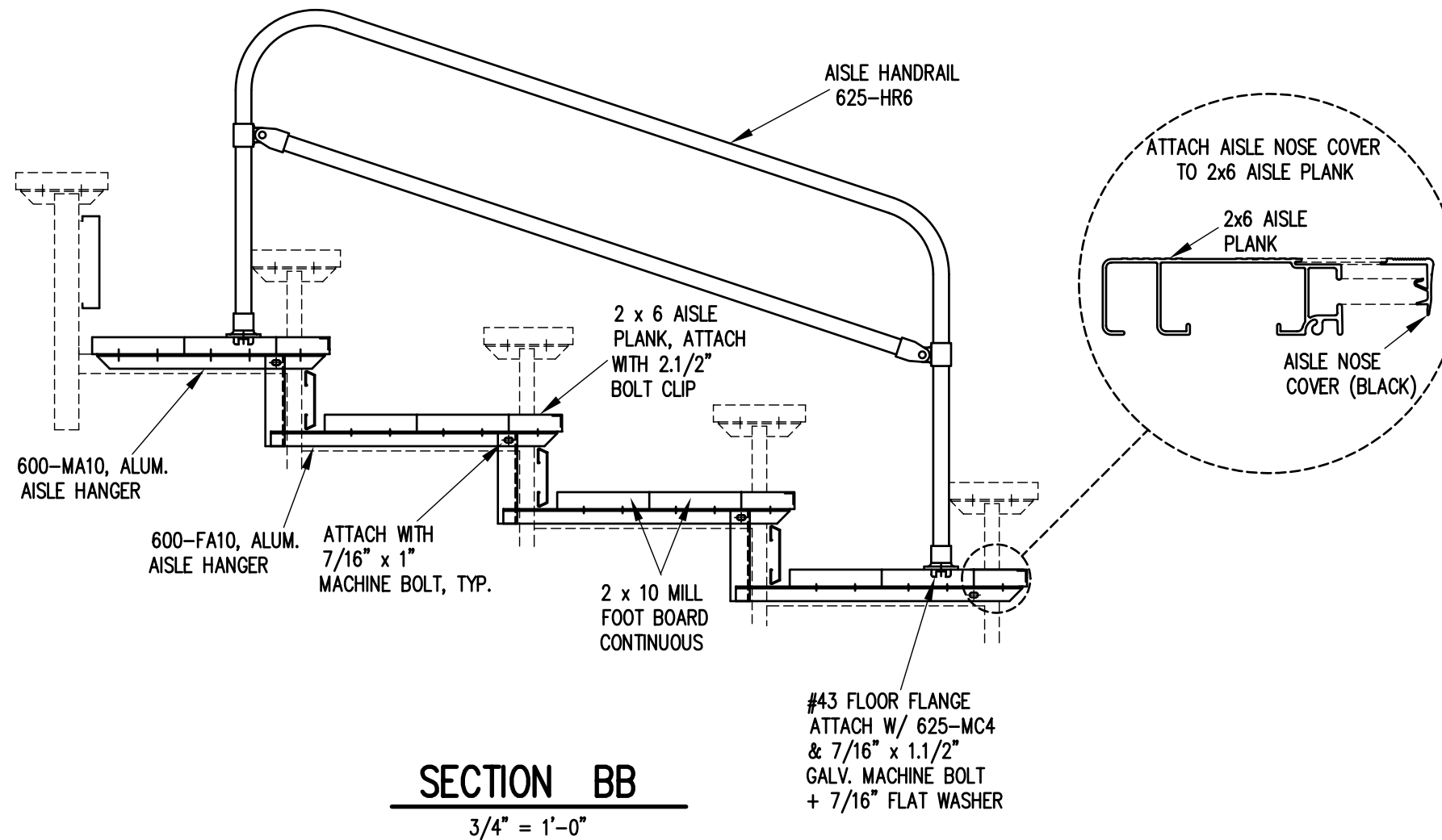
PIPE SLEEVE ASSEMBLY


1.1/2" = 1' 0"

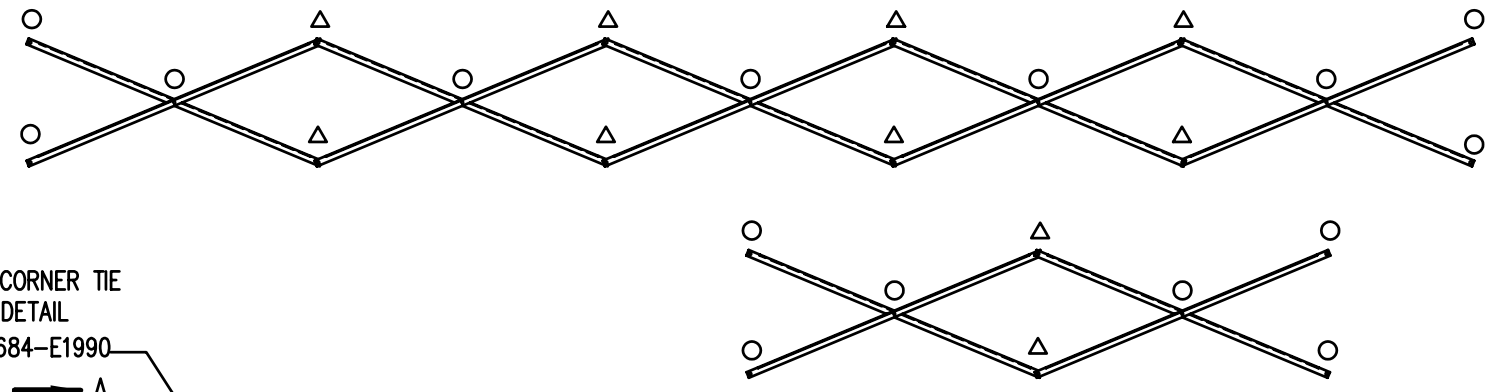
- 1) INSERT PIPE SLEEVE APPROXIMATELY HALFWAY INTO THE RAIL PIPE. FASTEN PIPE SLEEVE WITH (1) ALUMINUM POP RIVET (5/32" X 5/8")
- 2) SLIDE THE END OF THE ADJOINING RAILPIPE OVER THE PIPE SLEEVE UNTIL THE TWO RAILS ARE FLUSH.

NOTE: PIPE SLEEVES SHOULD BE ATTACHED ON ONLY ONE END TO ALLOW FOR EXPANSION.

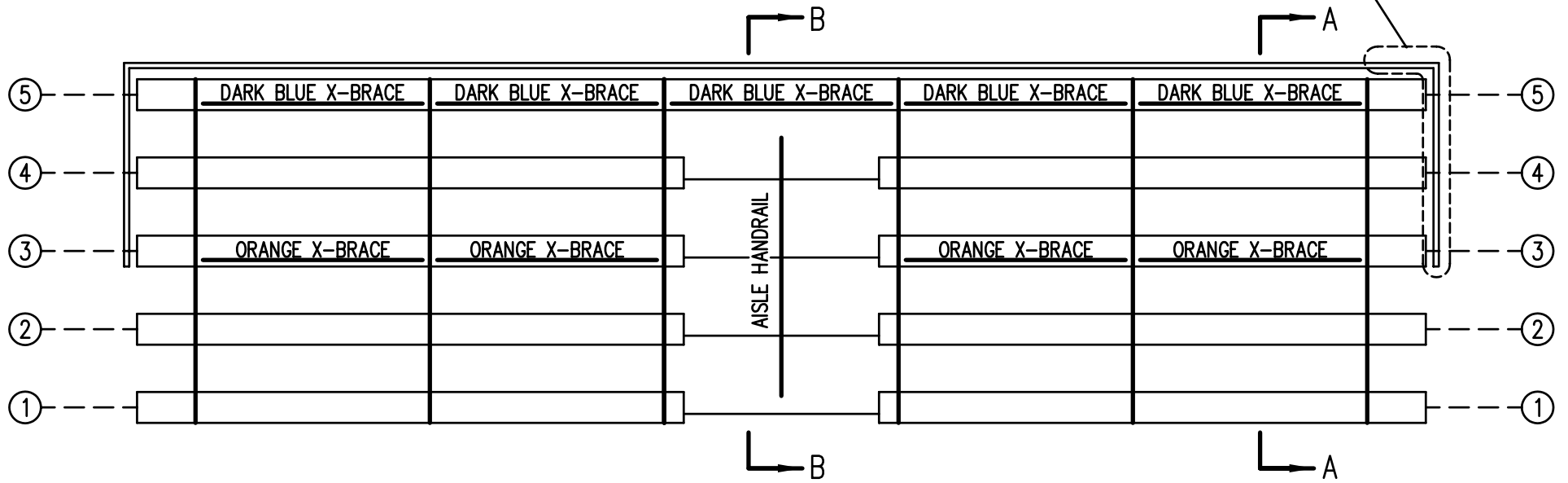
		Outdoor Aluminum P.O. BOX 118 GENEVA, ALABAMA 36340 334-684-2296		
				SCALE
DATE	11/6/00			
DR'N	SS	CKD		
AP'VD				
TITLE				NO.
SPLICE SLEEVE ASSEMBLY				684-E1994



		Outdoor Aluminum		P.O. BOX 118 GENEVA, ALABAMA 36340 334-684-2296	
SCALE	3/4"=1'-0"	REVISIONS		BY	DATE
DATE	9/27/00	AISLE NOSE COVER		WHW	03/02
DR'N	SS	CKD			
AP'VD					
TITLE	5 ROW AISLE SECTION				NO. 684-E1995

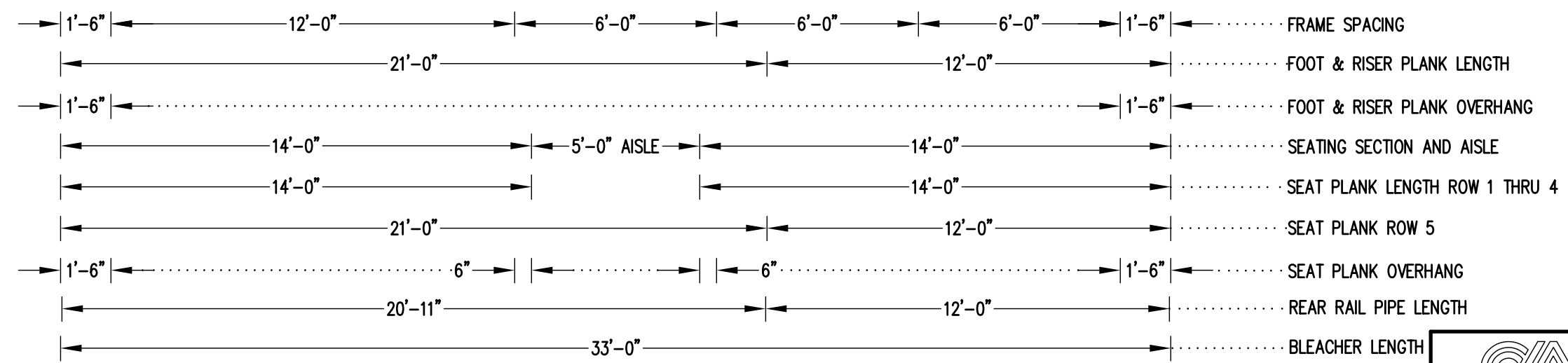


SEE REAR CORNER TIE
ASSEMBLY DETAIL
SEE DWG. 684-E1990



X-BRACE DETAIL

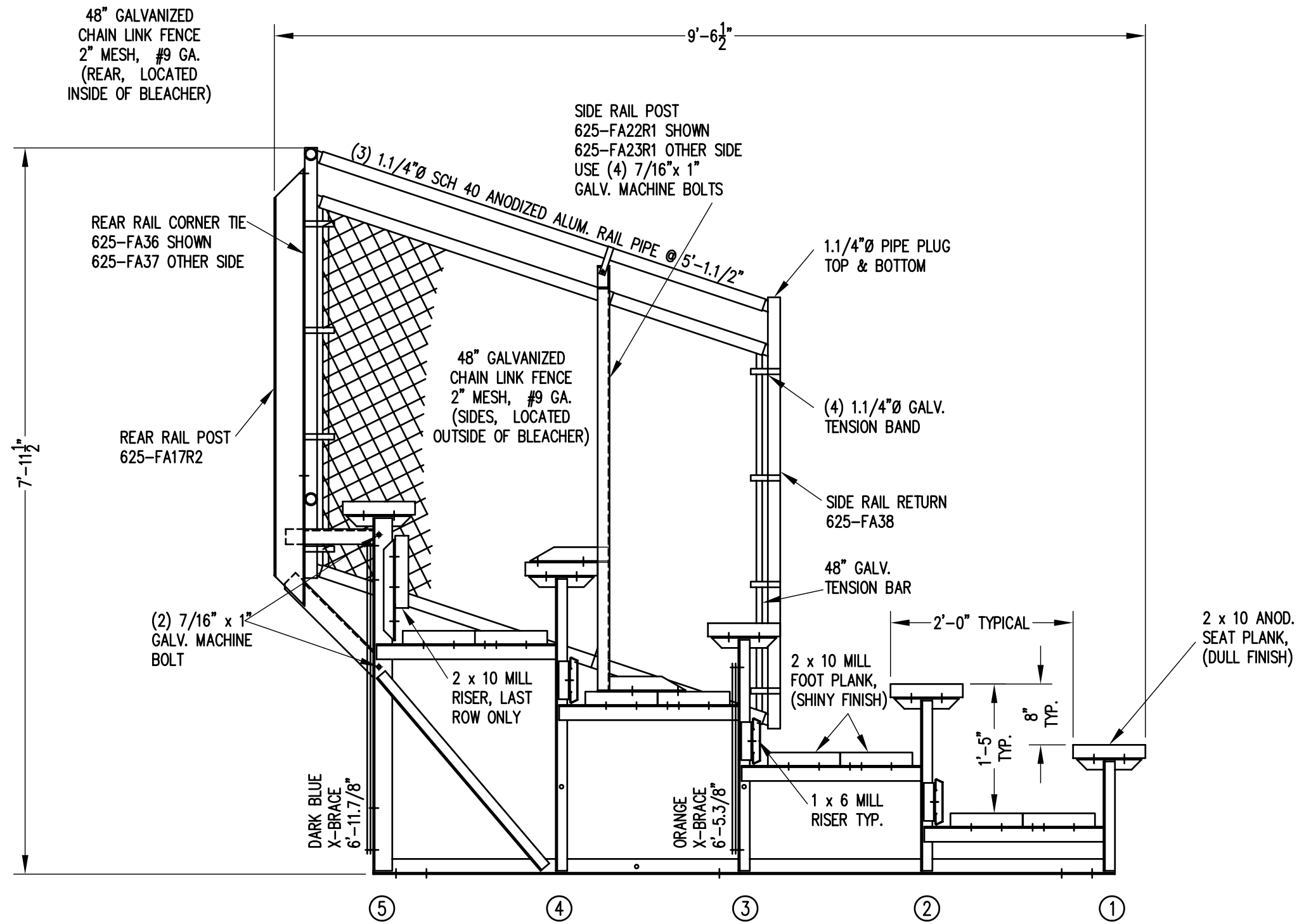
- N.T.S.
- 7/16" X 1" GALV. MACH. BOLT
 - △ 7/16" X 1.1/2" GALV. MACH. BOLT




SEATING & FRAMING PLAN

1/4" = 1'-0"
94 NET SEAT @ 18" PER SEAT

		P.O. BOX 118 GENEVA, ALABAMA 36340 334-684-2296		
		SCALE AS NOTED	REVISIONS	BY
DATE 11/30/00	SIDE GUARDRAIL TO OUTSIDE		WHW	03/02
DR'N SS CKD				
AP'VD				
TITLE			NO.	
DLWA 5-33 SEATING/FRAMING PLAN W/AISLE			684-E2078	



SECTION AA
3/4" = 1'-0"

		Outdoor Aluminum P.O. BOX 118 GENEVA, ALABAMA 36340 334-684-2296		
				SCALE
DATE	10/28/96	X-BRACE FROM BLUE TO DARK BLUE	CHM	03/97
DR'N	SS CKD	SIDE GUARDRAIL TO OUTSIDE	WHW	03/02
AP'VD		FOOTBOARD SUPPORT,FA17R2,FA22R1	RS	09/06
TITLE				NO.
DLW 5 ROW SECTION DOUBLE FOOTBOARD				684-E2083