

**BOLT CLIP DETAIL**

1.1/2" = 1'-0"



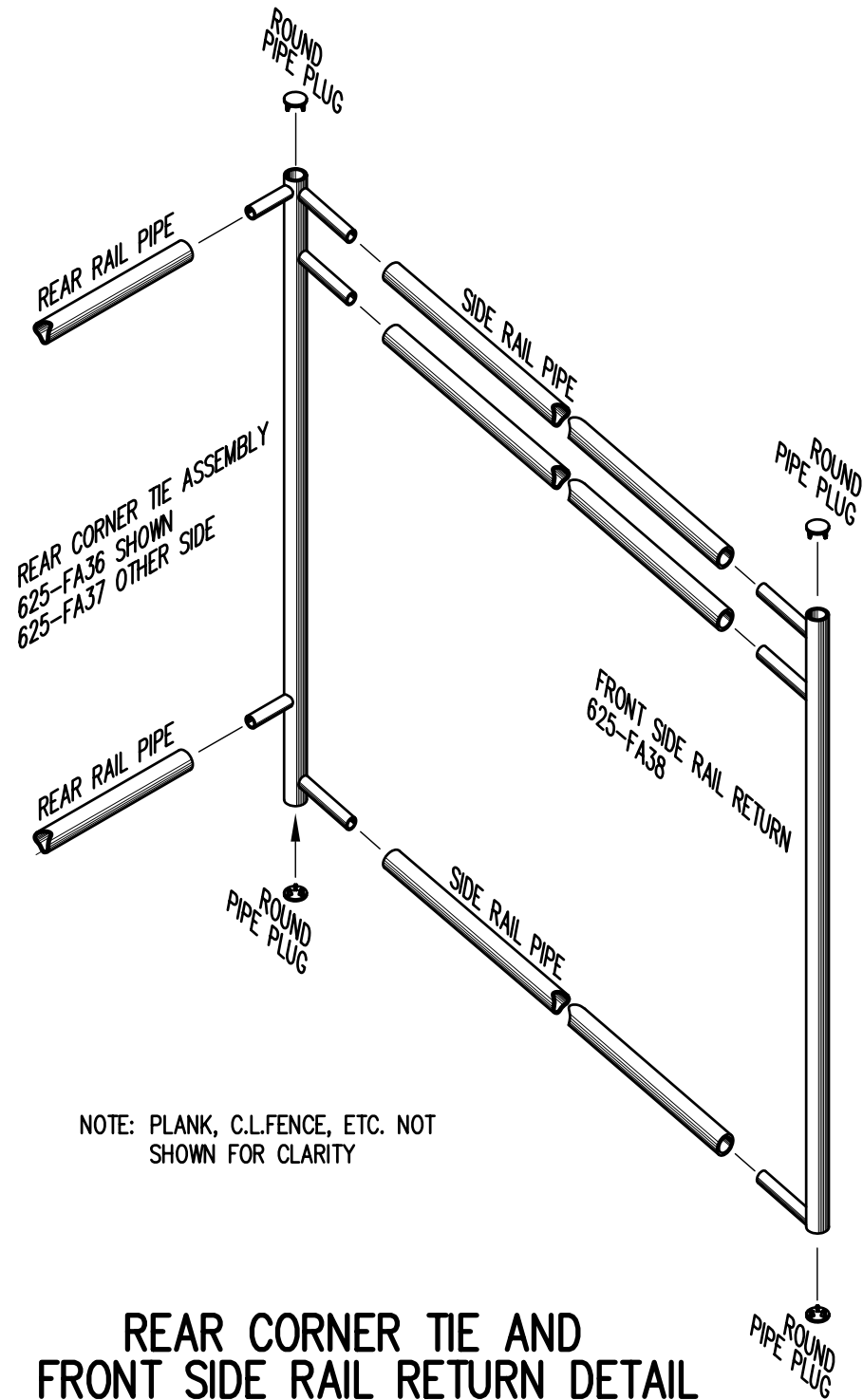
FIG.1

FIG.2

- 1) LOCATE THE CHANNEL END CAP AS SHOWN IN FIG. 1.
- 2) TAP END CAP INTO PLACE WITH RUBBER Mallet OR SOFT WOOD. FIG.2
- 3) DRILL TWO 5/32" HOLES THROUGH THE BOTTOM FLANGE AND THE BOTTOM OUTSIDE PLANK FLANGES. INSTALL TWO 3/16" x 1/4" RIVETS. (2 PER PLANK)

**END CAP DETAIL**

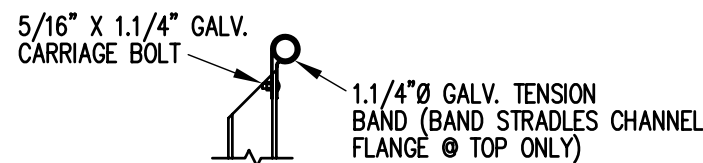
N.T.S.



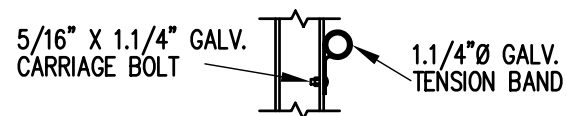
NOTE: PLANK, C.L.FENCE, ETC. NOT SHOWN FOR CLARITY

**REAR CORNER TIE AND FRONT SIDE RAIL RETURN DETAIL**

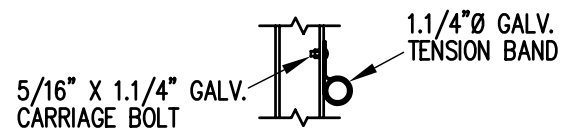
3/4" = 1'-0"



**TOP RAIL**

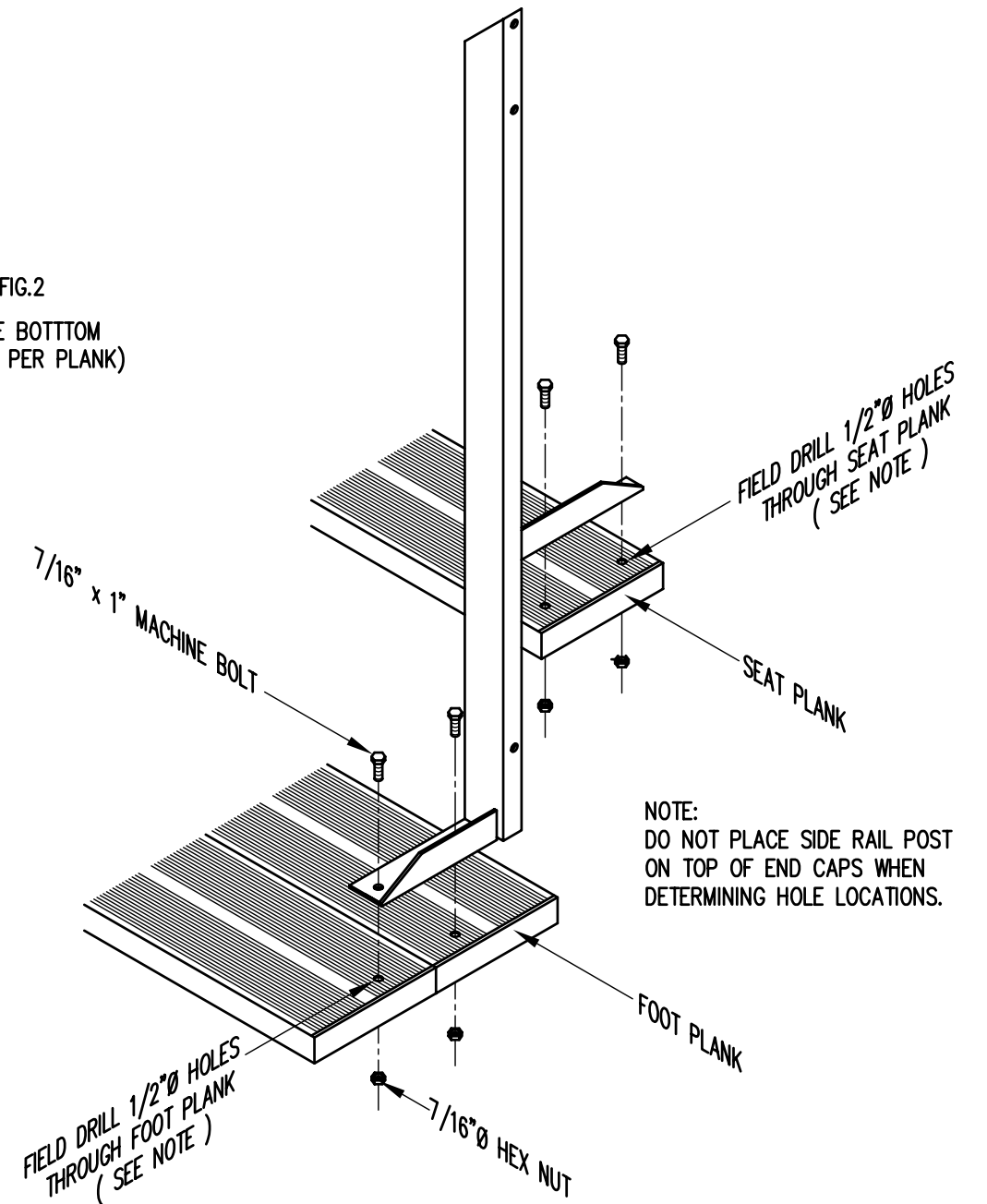


**MID RAIL**



**LOWER RAIL**

3/4" = 1'-0"

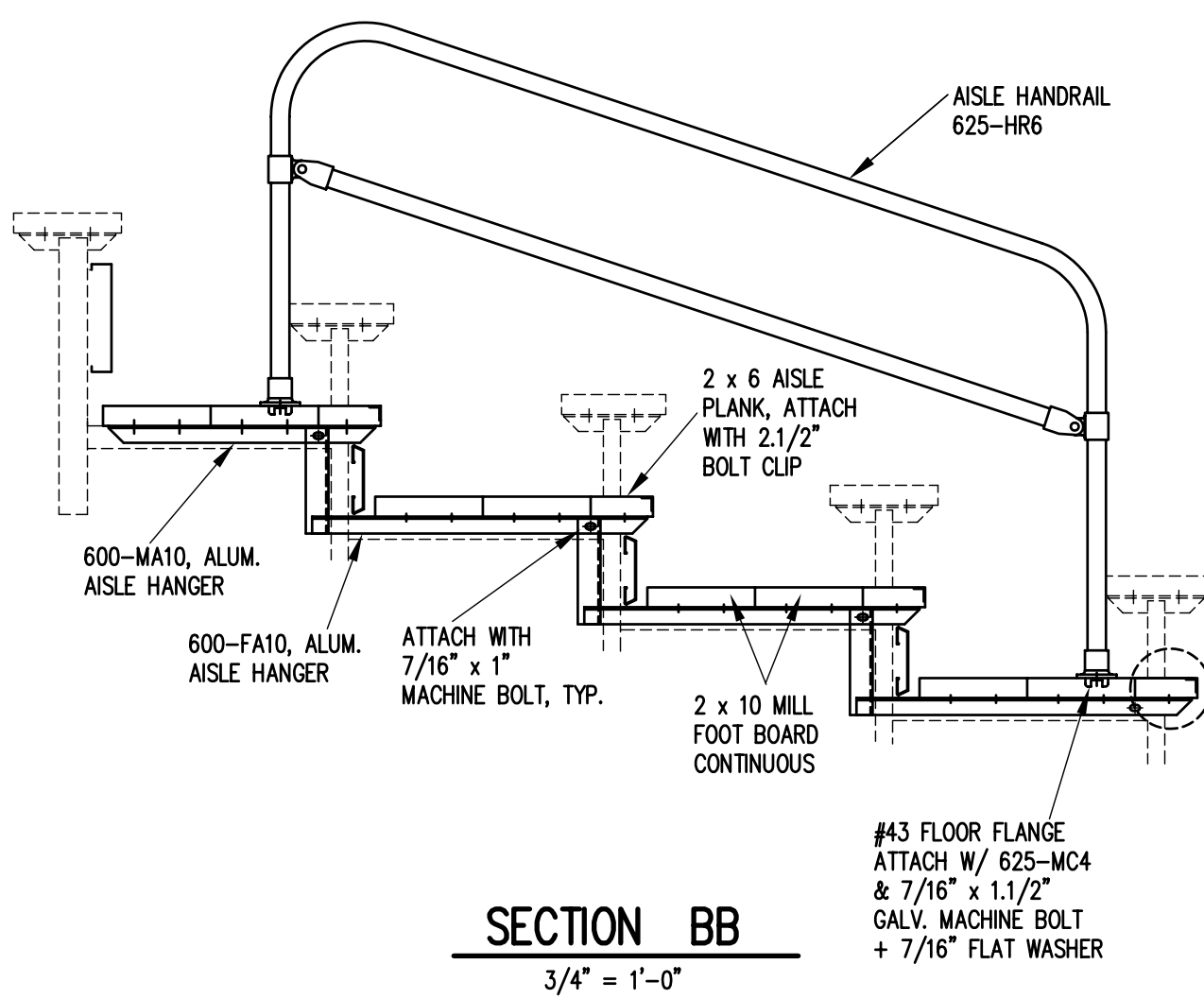


NOTE: DO NOT PLACE SIDE RAIL POST ON TOP OF END CAPS WHEN DETERMINING HOLE LOCATIONS.

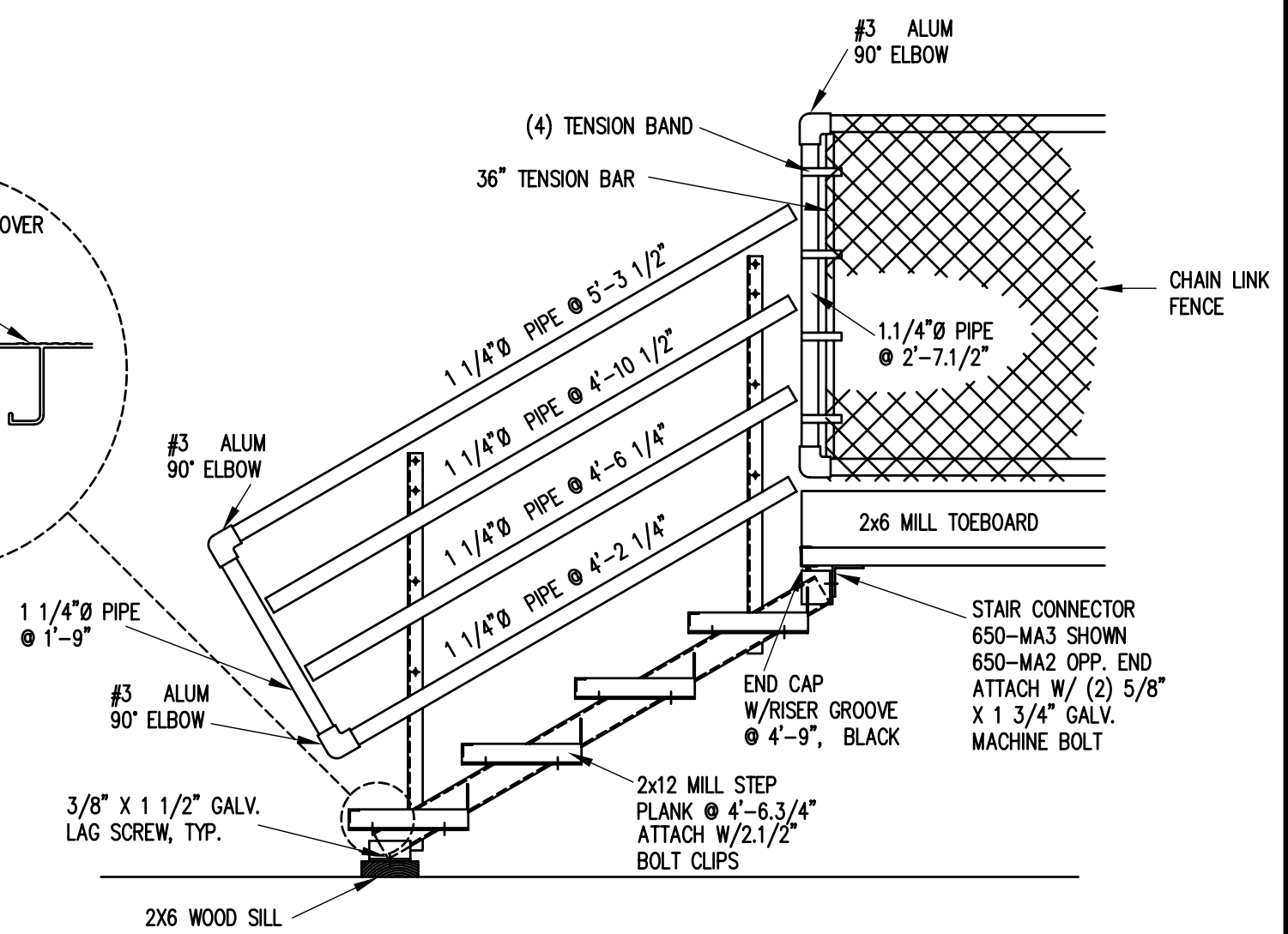
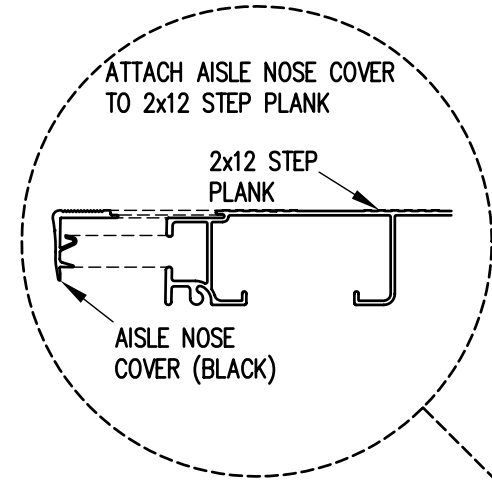
**TYP. SIDE RAIL POST ATTACHMENT**

1" = 1'-0"

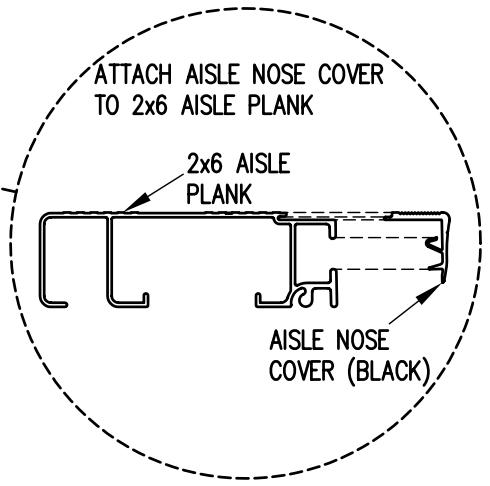
		P.O. BOX 118 GENEVA, ALABAMA 36340 334-684-2296			
		SCALE	AS NOTED	REVISIONS	BY
DATE	11/2/00	SIDE GUARDRAIL TO OUTSIDE		WHW	03/02
DR'N	SS	CKD			
AP'VD					
TITLE				NO.	
TYPICAL DETAILS				684-E1990	



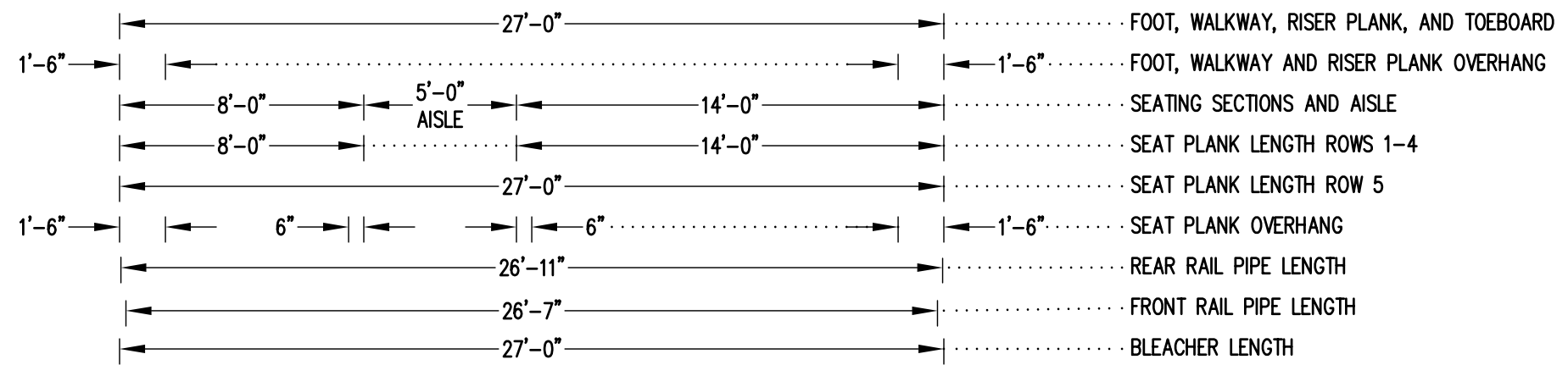
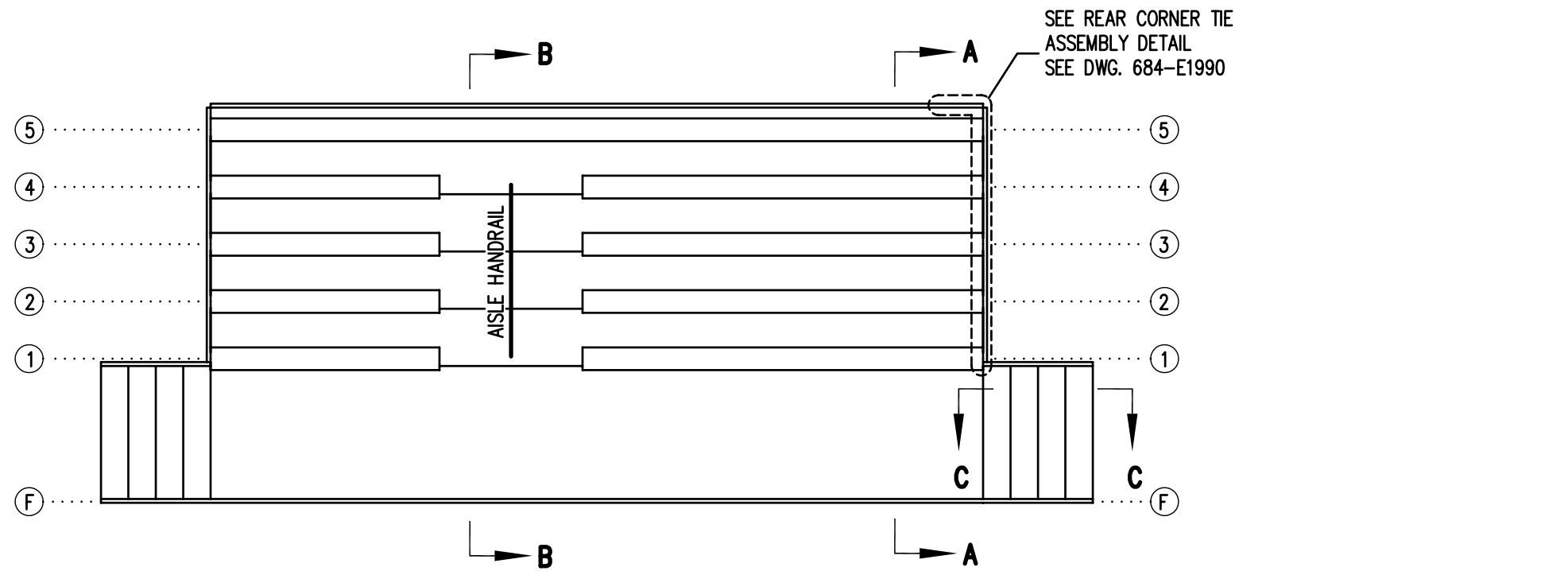
**SECTION BB**  
3/4" = 1'-0"



**SECTION CC**  
3/4" = 1'-0"




		P.O. BOX 118 GENEVA, ALABAMA 36340 334-684-2296		
		SCALE 3/4"=1'-0"	REVISIONS	BY
DATE 12/08/00	AISLE NOSE COVER		WHW	03/02
DR'N SS	CKD			
AP'VD				
TITLE DLWE 5 ROW AISLE & STAIR SECTION			NO. 684-E1997	

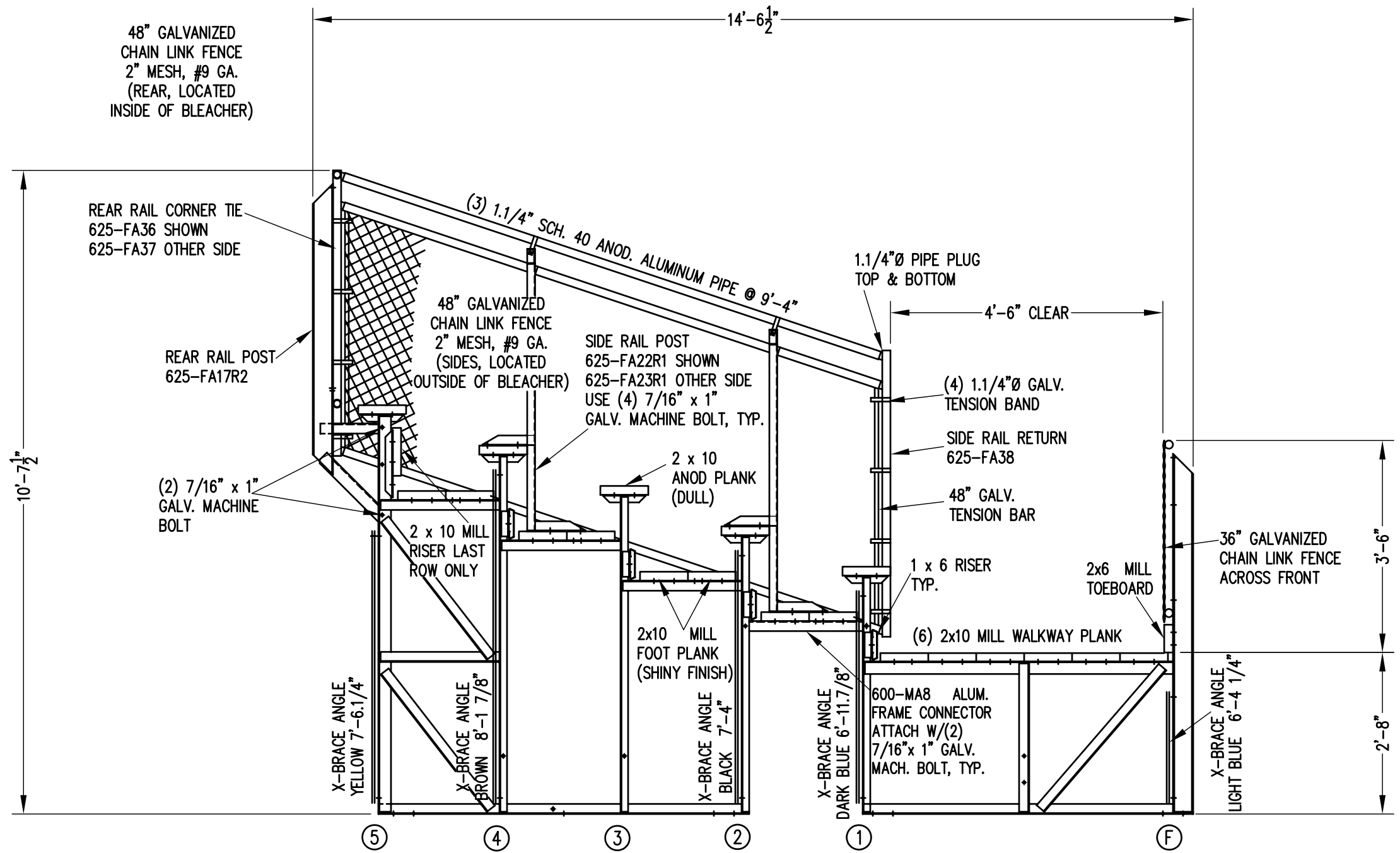


### SEATING PLAN

3/16" = 1'-0"

74 NET SEATS @ 18" PER SEAT

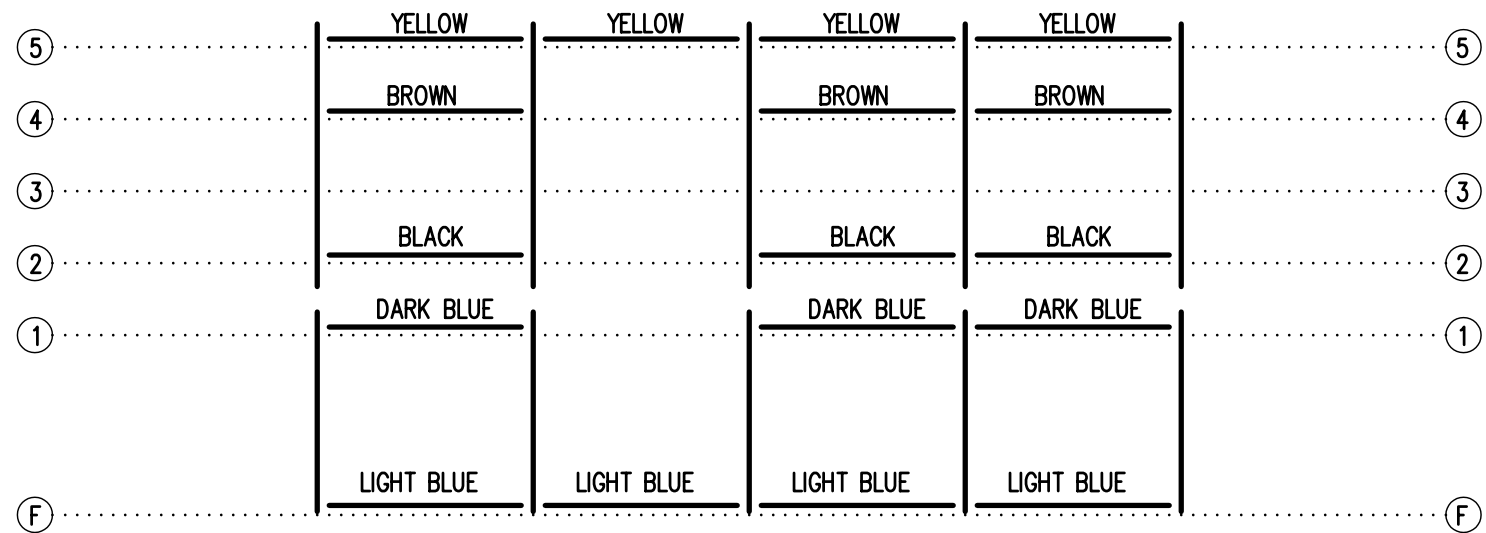
		<b>Outdoor Aluminum</b> P.O. BOX 118 GENEVA, ALABAMA 36340 334-684-2296			
				SCALE	REVISIONS
SCALE	3/16"=1'-0"	REVISIONS		BY	DATE
DATE	12/08/00	SIDE GUARDRAIL TO OUTSIDE		WHW	03/02
DR'N	SS	CKD			
AP'VD					
TITLE				NO.	
DLWE 5-27 SEATING PLAN				684-E2171	



**SECTION AA**

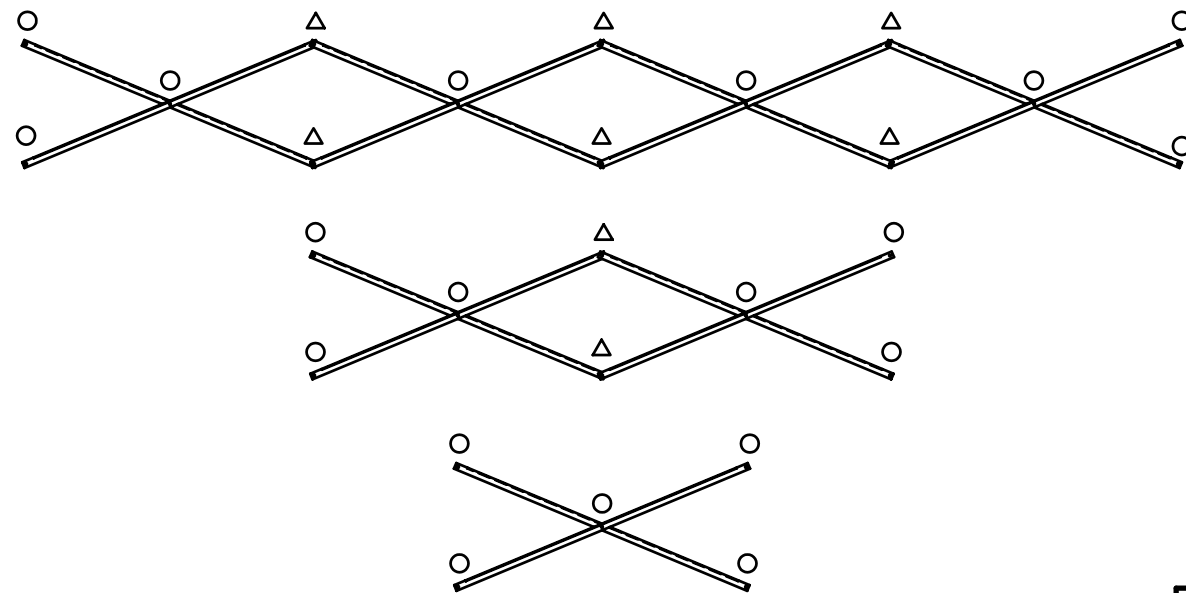
1/2" = 1'-0"

		P.O. BOX 118 GENEVA, ALABAMA 36340 334-684-2296	
		SCALE 1/2"=1'-0"	REVISIONS
DATE 12/12/00	X-BRACE FROM BLUE TO DARK BLUE	CHM	03/97
DR'N SS CKD	SIDE GUARDRAIL TO OUTSIDE	WHW	03/02
AP'VD	FOOTBOARD SUPPORT,FA17R2,FA22R1,MA8	RS	09/06
TITLE			NO.
DLWE 5 ROW SECTION			684-E2181



1'-6" → | ← 6'-0" → | ← 6'-0" → | ← 6'-0" → | ← 6'-0" → | ← 1'-6" ..... FRAME SPACING

**FRAMING PLAN**  
 $\frac{3}{16}'' = 1'-0''$



**X-BRACE DETAIL**

N.T.S.

- 7/16" X 1" GALV. MACH. BOLT
- △ 7/16" X 1.1/2" GALV. MACH. BOLT

		<b>Outdoor Aluminum</b>		P.O. BOX 118 GENEVA, ALABAMA 36340 334-684-2296	
SCALE	$\frac{3}{16}'' = 1'-0''$	REVISIONS	BY	DATE	
DATE	12/08/00				
DR'N	SS	CKD			
AP'VD					
TITLE				NO.	
DLWE 5-27 FRAMING PLAN				684-E2241	