

**BOLT CLIP DETAIL**

1.1/2" = 1'-0"



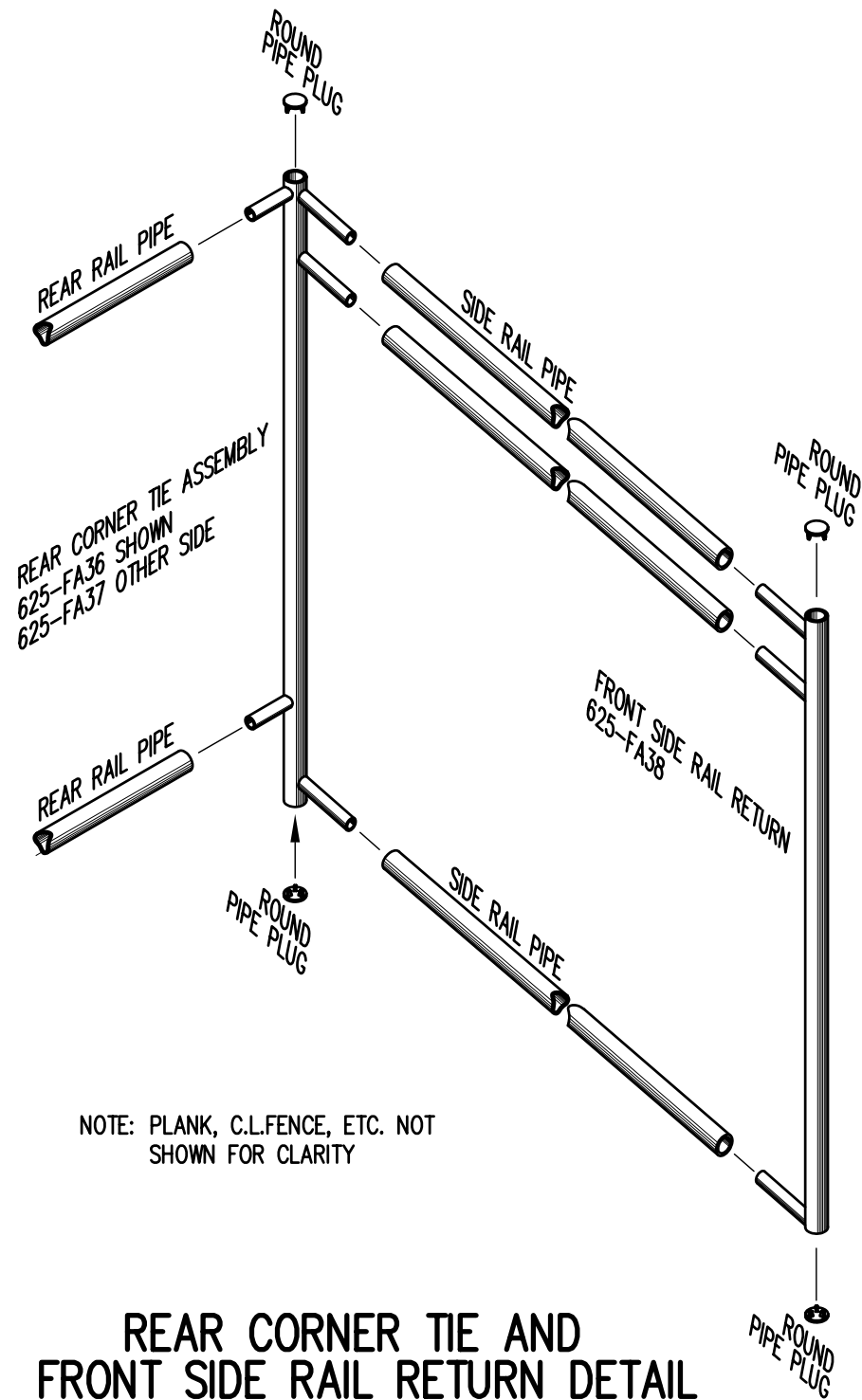
FIG.1

FIG.2

- 1) LOCATE THE CHANNEL END CAP AS SHOWN IN FIG. 1.
- 2) TAP END CAP INTO PLACE WITH RUBBER Mallet OR SOFT WOOD. FIG.2
- 3) DRILL TWO 5/32" HOLES THROUGH THE BOTTOM FLANGE AND THE BOTTOM OUTSIDE PLANK FLANGES. INSTALL TWO 3/16" x 1/4" RIVETS. (2 PER PLANK)

**END CAP DETAIL**

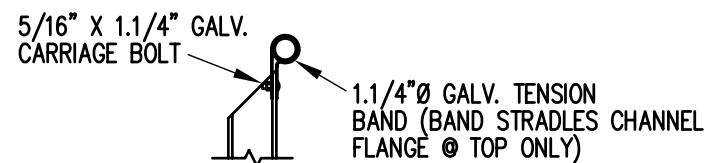
N.T.S.



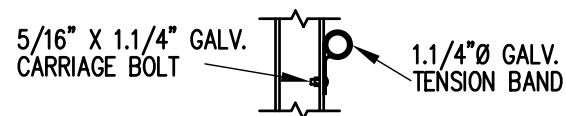
NOTE: PLANK, C.L.FENCE, ETC. NOT SHOWN FOR CLARITY

**REAR CORNER TIE AND FRONT SIDE RAIL RETURN DETAIL**

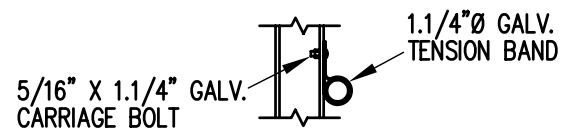
3/4" = 1'-0"



**TOP RAIL**

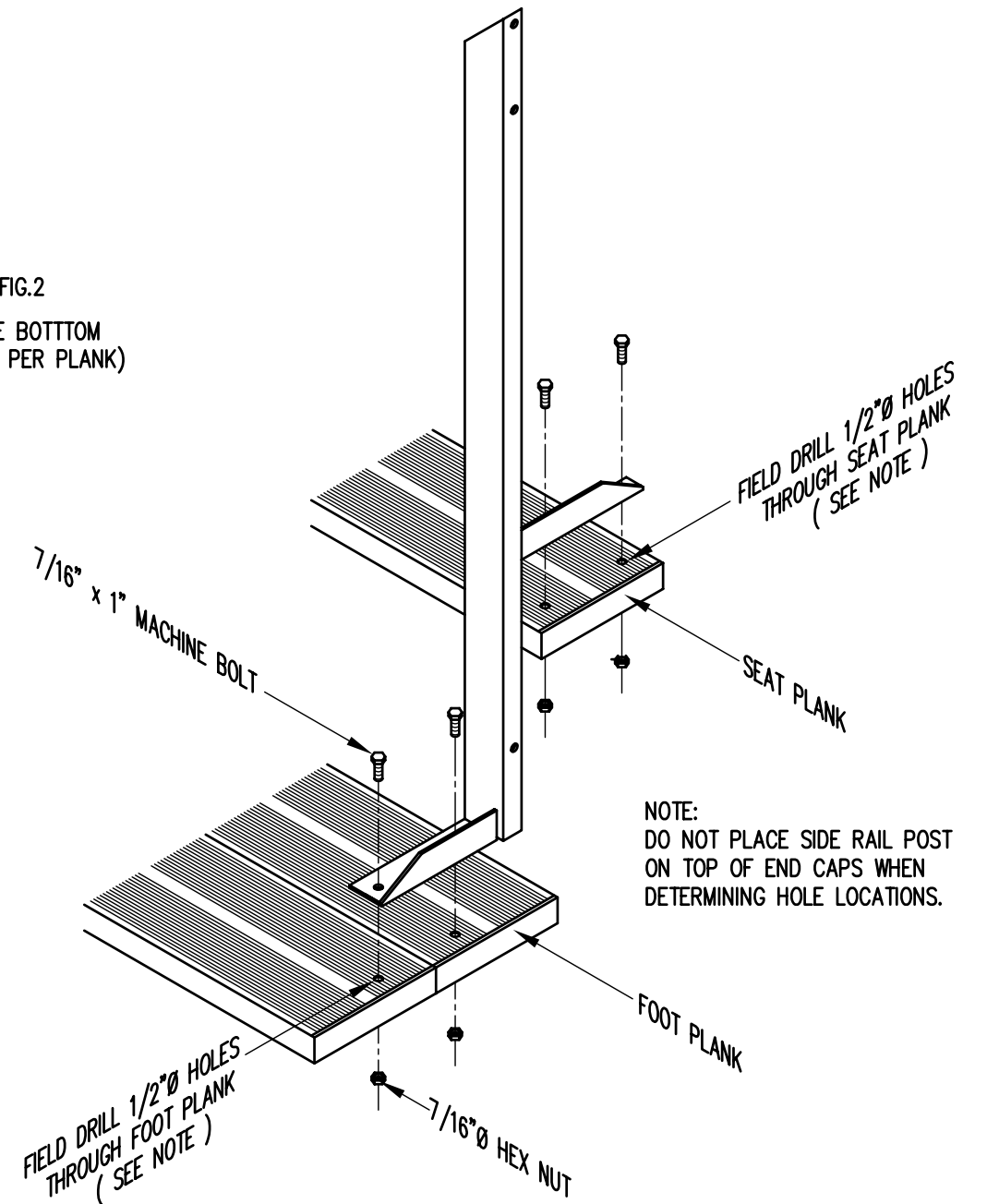


**MID RAIL**



**LOWER RAIL**

3/4" = 1'-0"

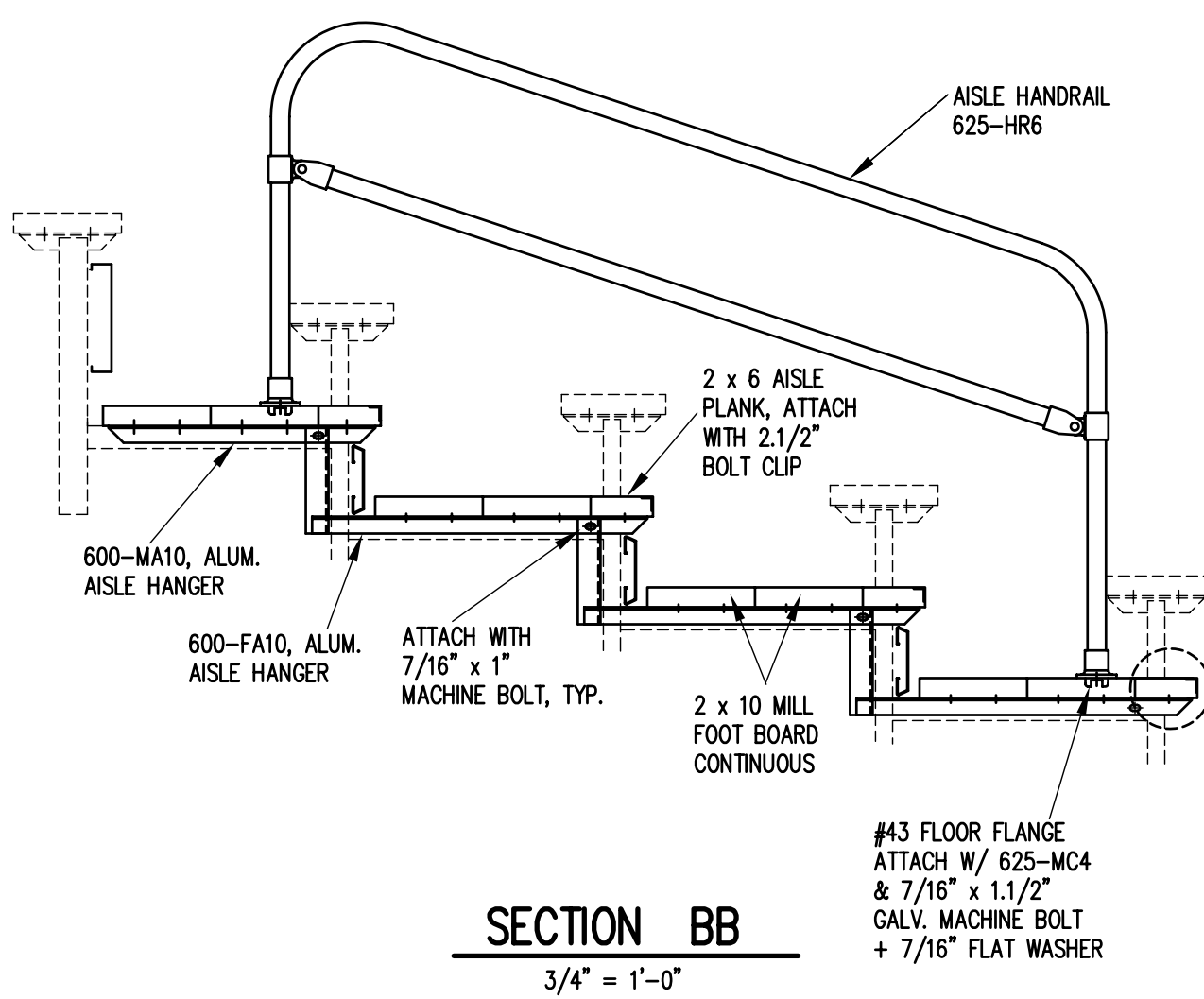


NOTE: DO NOT PLACE SIDE RAIL POST ON TOP OF END CAPS WHEN DETERMINING HOLE LOCATIONS.

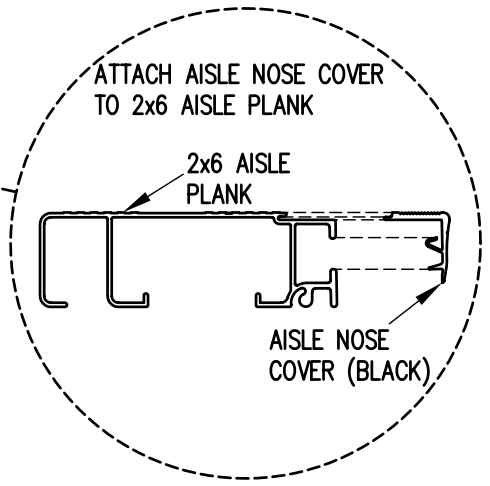
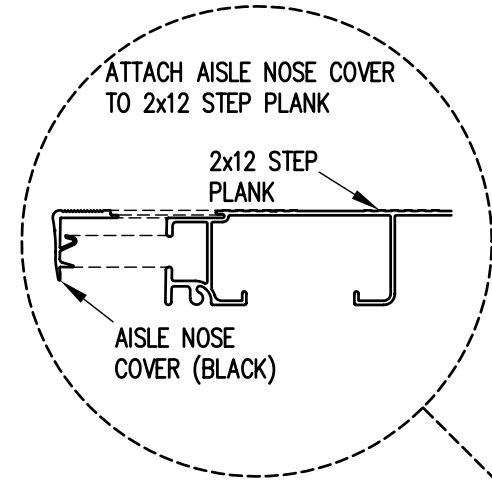
**TYP. SIDE RAIL POST ATTACHMENT**

1" = 1'-0"

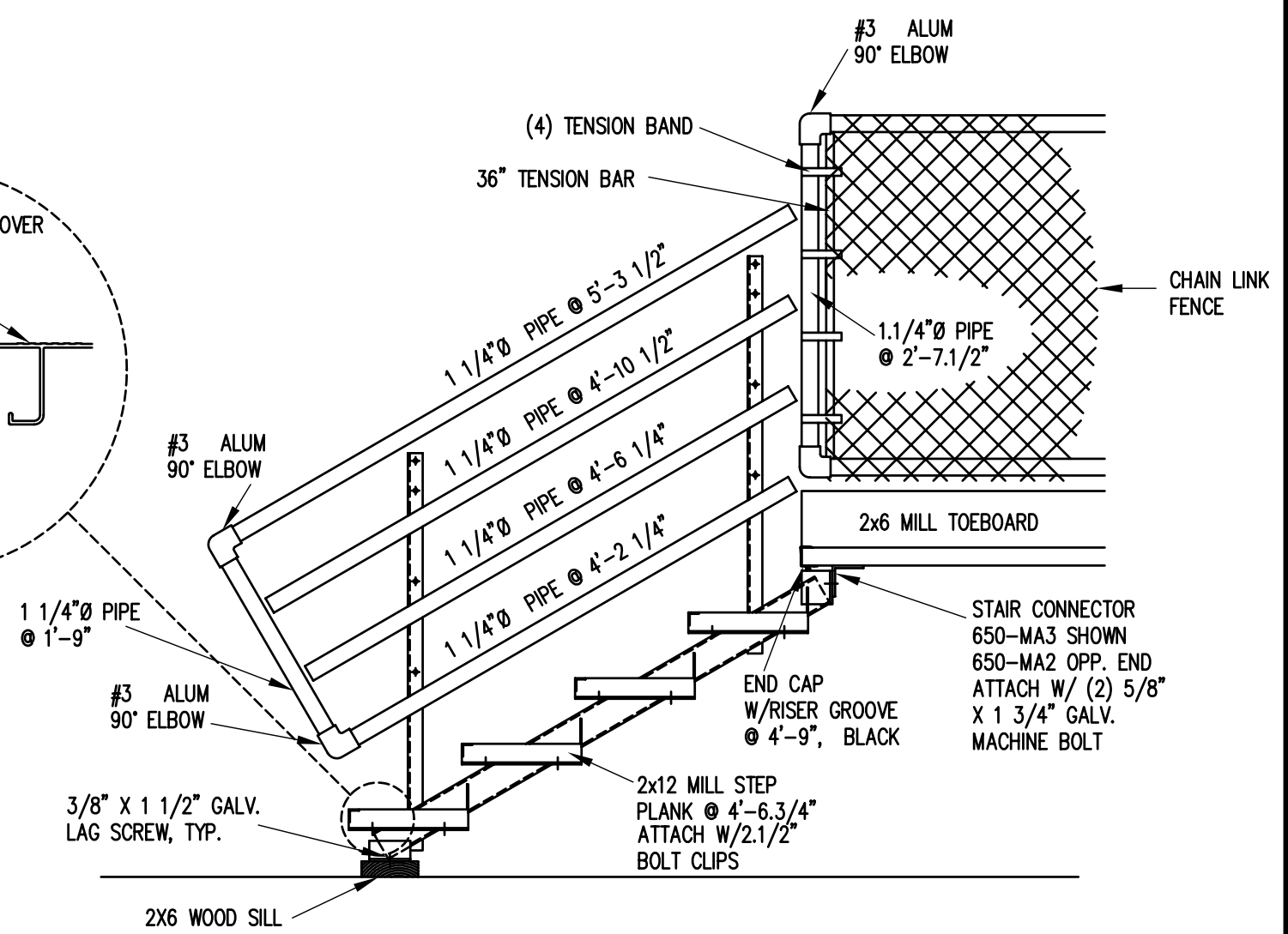
		P.O. BOX 118 GENEVA, ALABAMA 36340 334-684-2296			
		SCALE	AS NOTED	REVISIONS	BY
DATE	11/2/00	SIDE GUARDRAIL TO OUTSIDE		WHW	03/02
DR'N	SS	CKD			
AP'VD					
TITLE				NO.	
TYPICAL DETAILS				684-E1990	



**SECTION BB**  
3/4" = 1'-0"

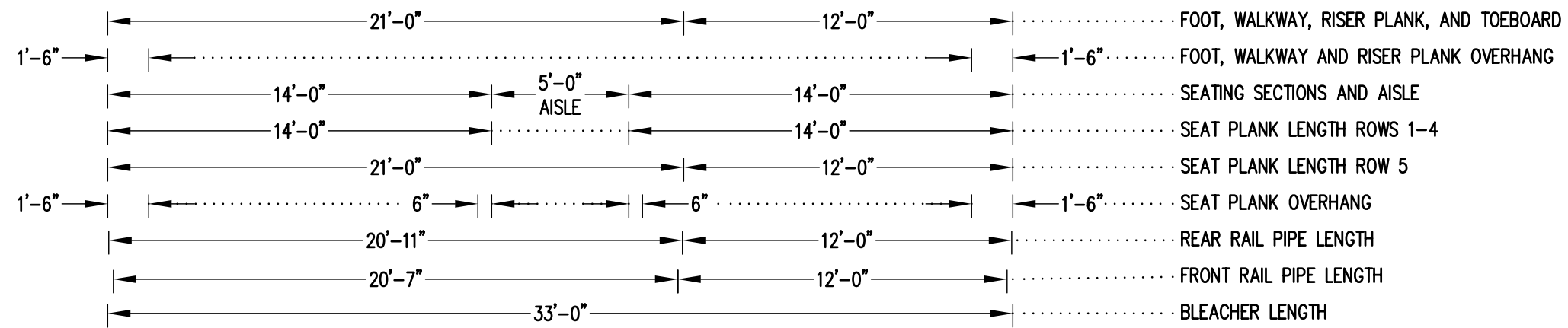
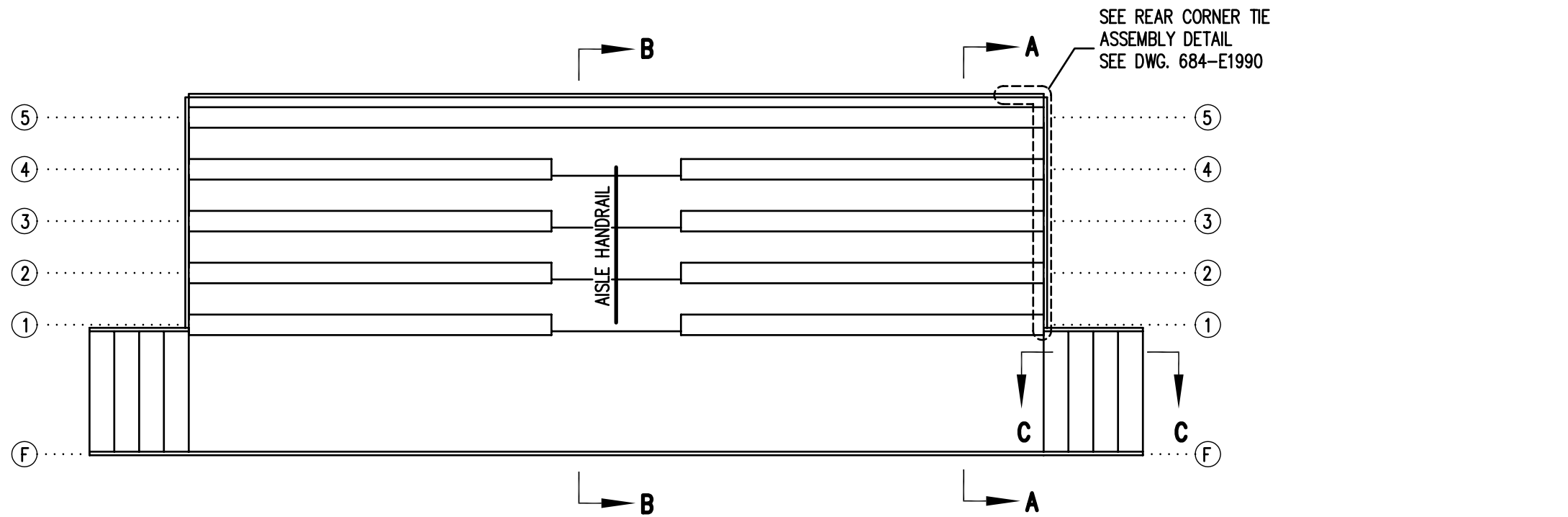


#43 FLOOR FLANGE  
ATTACH W/ 625-MC4  
& 7/16" x 1.1/2"  
GALV. MACHINE BOLT  
+ 7/16" FLAT WASHER



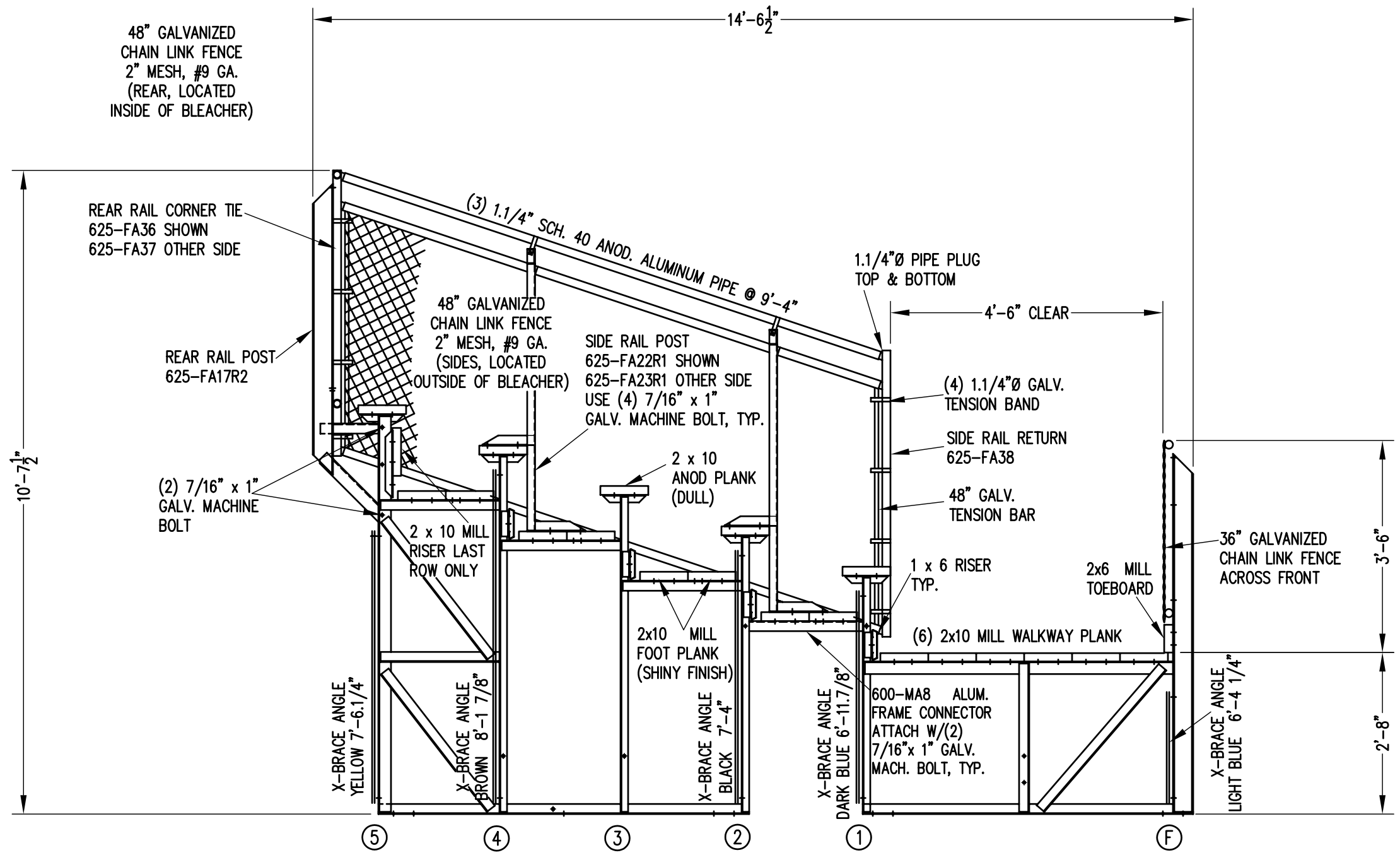
**SECTION CC**  
3/4" = 1'-0"

		P.O. BOX 118 GENEVA, ALABAMA 36340 334-684-2296		
		SCALE 3/4"=1'-0"	REVISIONS	BY
DATE 12/08/00	AISLE NOSE COVER		WHW	03/02
DR'N SS CKD				
AP'VD				
TITLE			NO.	
DLWE 5 ROW AISLE & STAIR SECTION			684-E1997	




**SEATING PLAN**  
 3/16" = 1'-0"  
 94 NET SEATS @ 18" PER SEAT

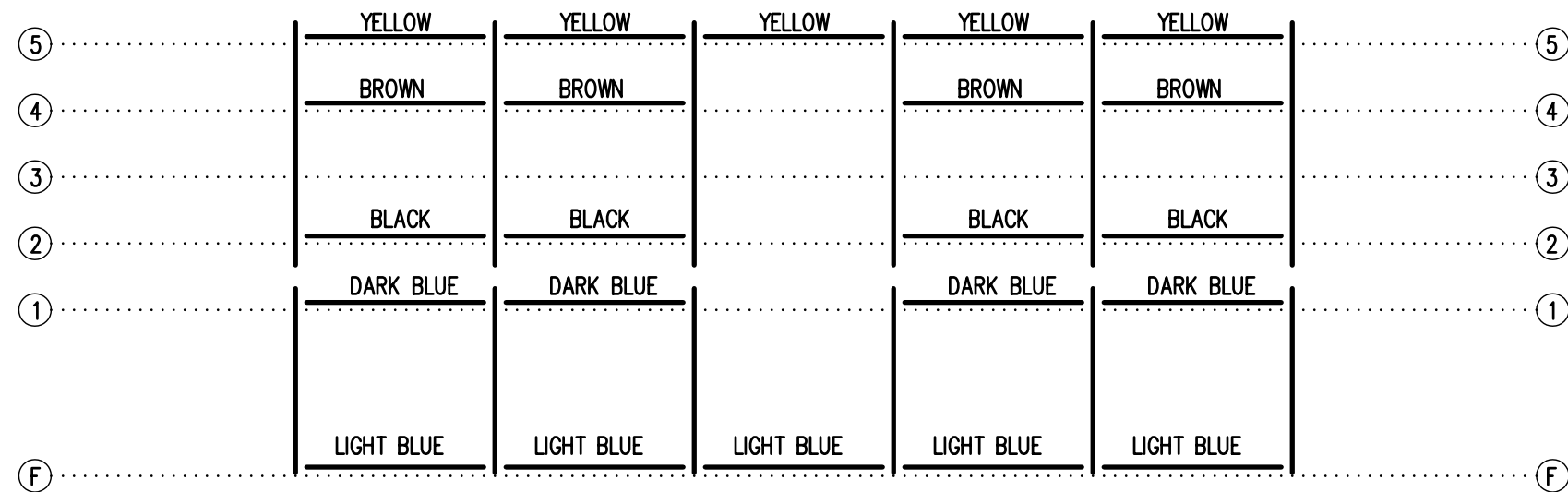
		P.O. BOX 118 GENEVA, ALABAMA 36340 334-684-2296			
		SCALE	REVISIONS	BY	DATE
DATE	12/12/00	SIDE GUARDRAIL TO OUTSIDE		WHW	03/02
DR'N	SS	CKD			
AP'VD					
TITLE				NO.	
DLWE 5-33 SEATING PLAN				684-E2176	



**SECTION AA**

1/2" = 1'-0"

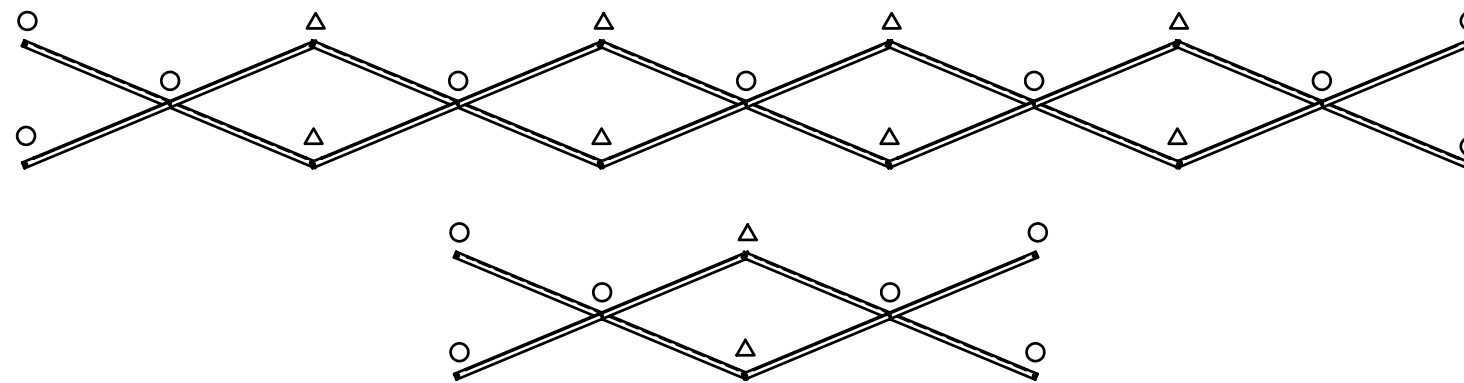
		P.O. BOX 118 GENEVA, ALABAMA 36340 334-684-2296					
		SCALE	1/2"=1'-0"	REVISIONS		BY	DATE
DATE	12/12/00	X-BRACE FROM BLUE TO DARK BLUE		CHM	03/97		
DR'N	SS	CKD	SIDE GUARDRAIL TO OUTSIDE	WHW	03/02		
AP'VD			FOOTBOARD SUPPORT,FA17R2,FA22R1,MA8	RS	09/06		
TITLE						NO.	
DLWE 5 ROW SECTION						684-E2181	



1'-6" → | ← 6'-0" → | ← 6'-0" → | ← 6'-0" → | ← 6'-0" → | ← 6'-0" → | ← 1'-6" ..... FRAME SPACING

### FRAMING PLAN


3/16" = 1'-0"



### X-BRACE DETAIL

N.T.S.

- 7/16" X 1" GALV. MACH. BOLT
- △ 7/16" X 1.1/2" GALV. MACH. BOLT

		<b>Outdoor Aluminum</b>		<small>P.O. BOX 118 GENEVA, ALABAMA 36340 334-684-2296</small>	
SCALE	3/16"=1'-0"	REVISIONS	BY	DATE	
DATE	12/12/00				
DR'N	SS CKD				
AP'VD					
TITLE				NO.	
DLWE 5-33 FRAMING PLAN				<b>684-E2246</b>	