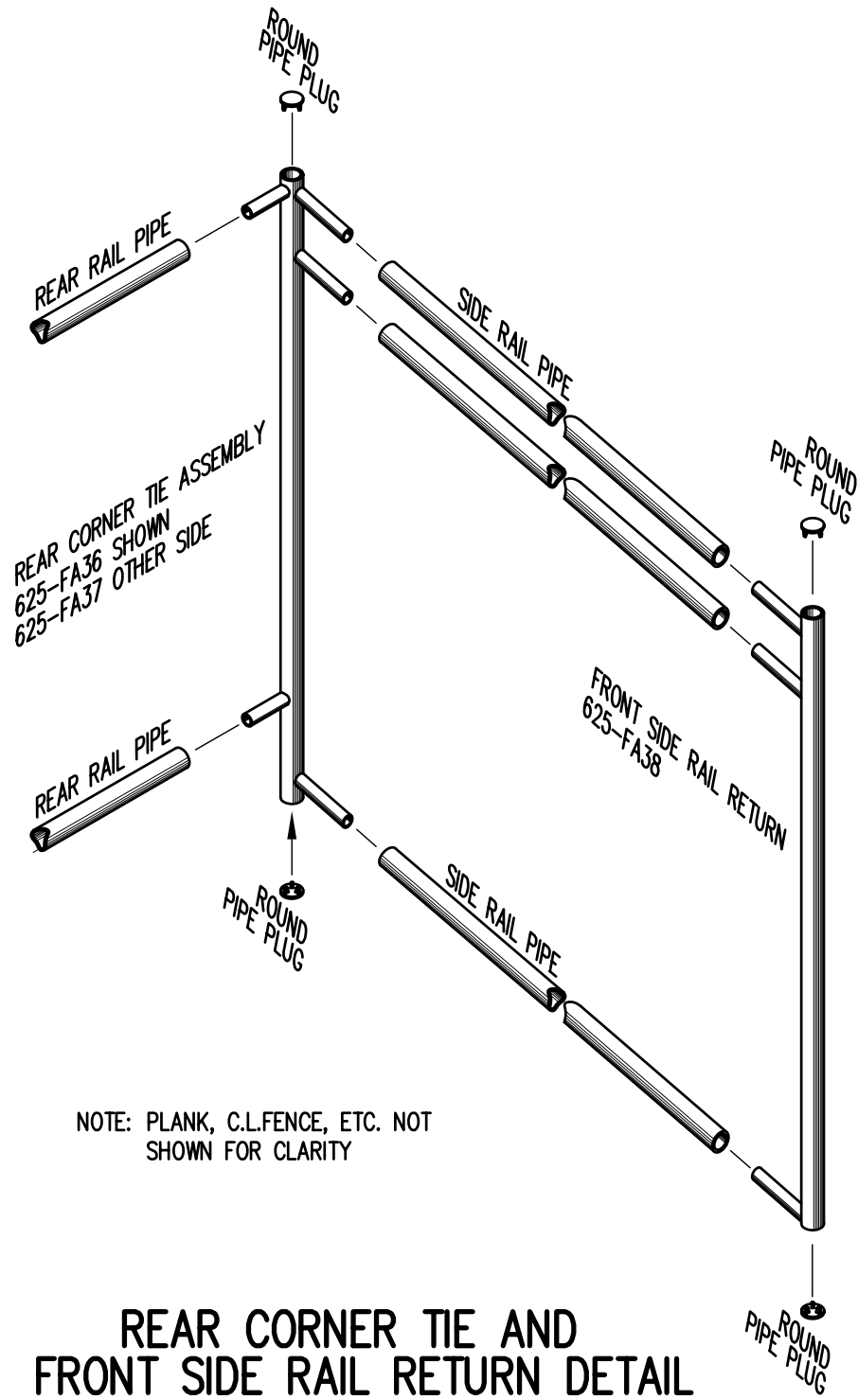


BOLT CLIP DETAIL

1.1/2" = 1'-0"



NOTE: PLANK, C.L.FENCE, ETC. NOT SHOWN FOR CLARITY

REAR CORNER TIE AND FRONT SIDE RAIL RETURN DETAIL

3/4" = 1'-0"



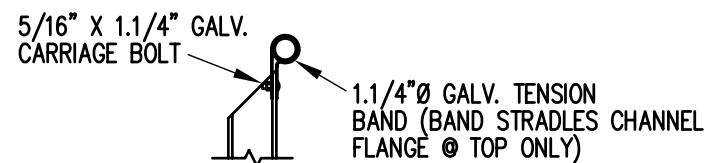
FIG.1

FIG.2

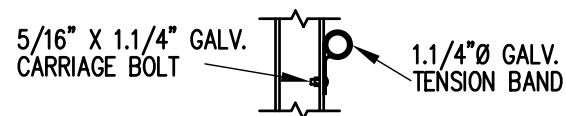
- 1) LOCATE THE CHANNEL END CAP AS SHOWN IN FIG. 1.
- 2) TAP END CAP INTO PLACE WITH RUBBER Mallet OR SOFT WOOD. FIG.2
- 3) DRILL TWO 5/32" HOLES THROUGH THE BOTTOM FLANGE AND THE BOTTOM OUTSIDE PLANK FLANGES. INSTALL TWO 3/16" x 1/4" RIVETS. (2 PER PLANK)

END CAP DETAIL

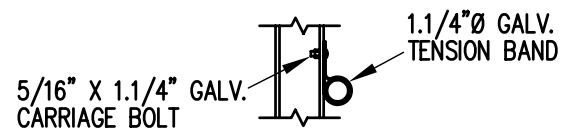
N.T.S.



TOP RAIL

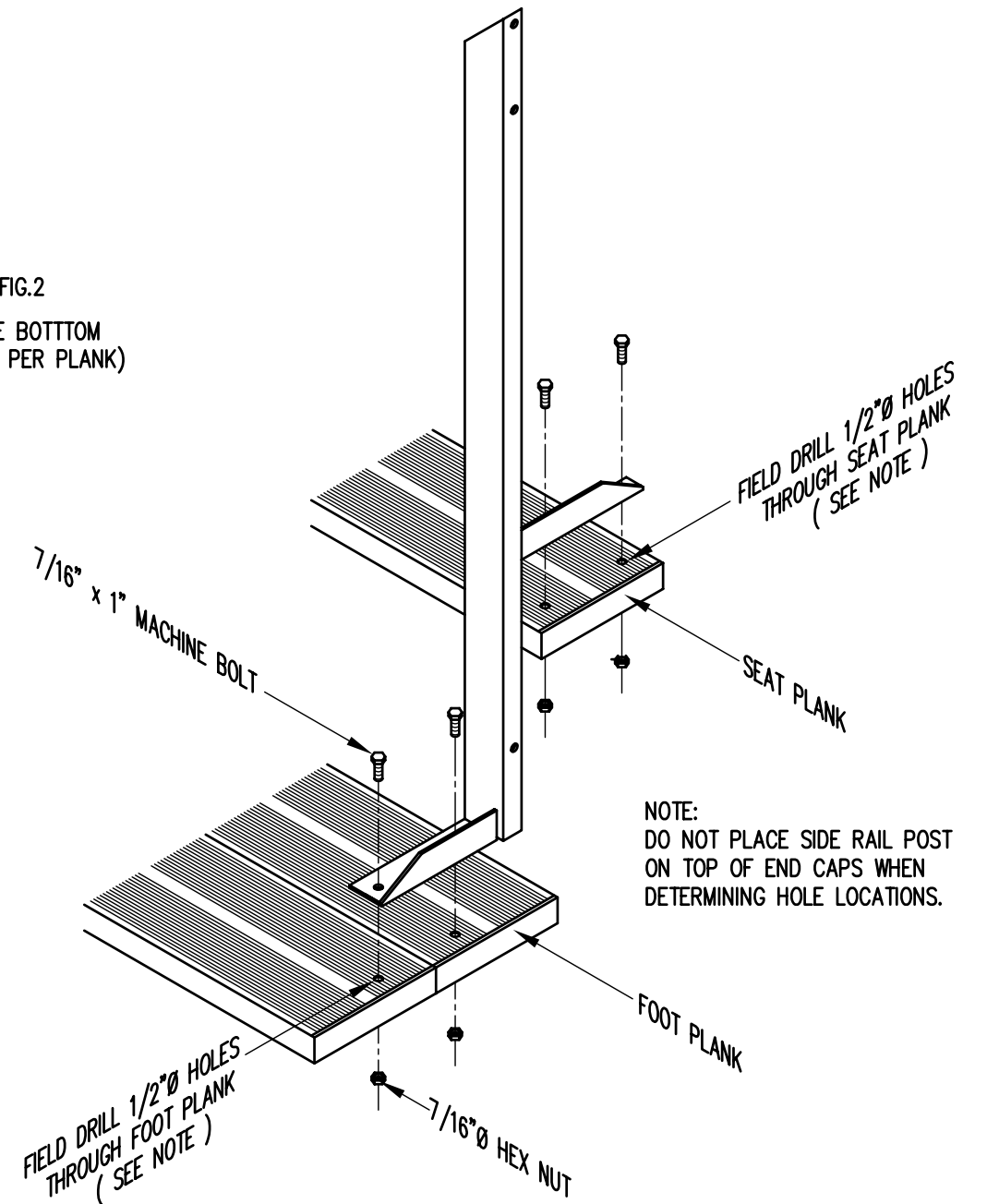


MID RAIL



LOWER RAIL

3/4" = 1'-0"

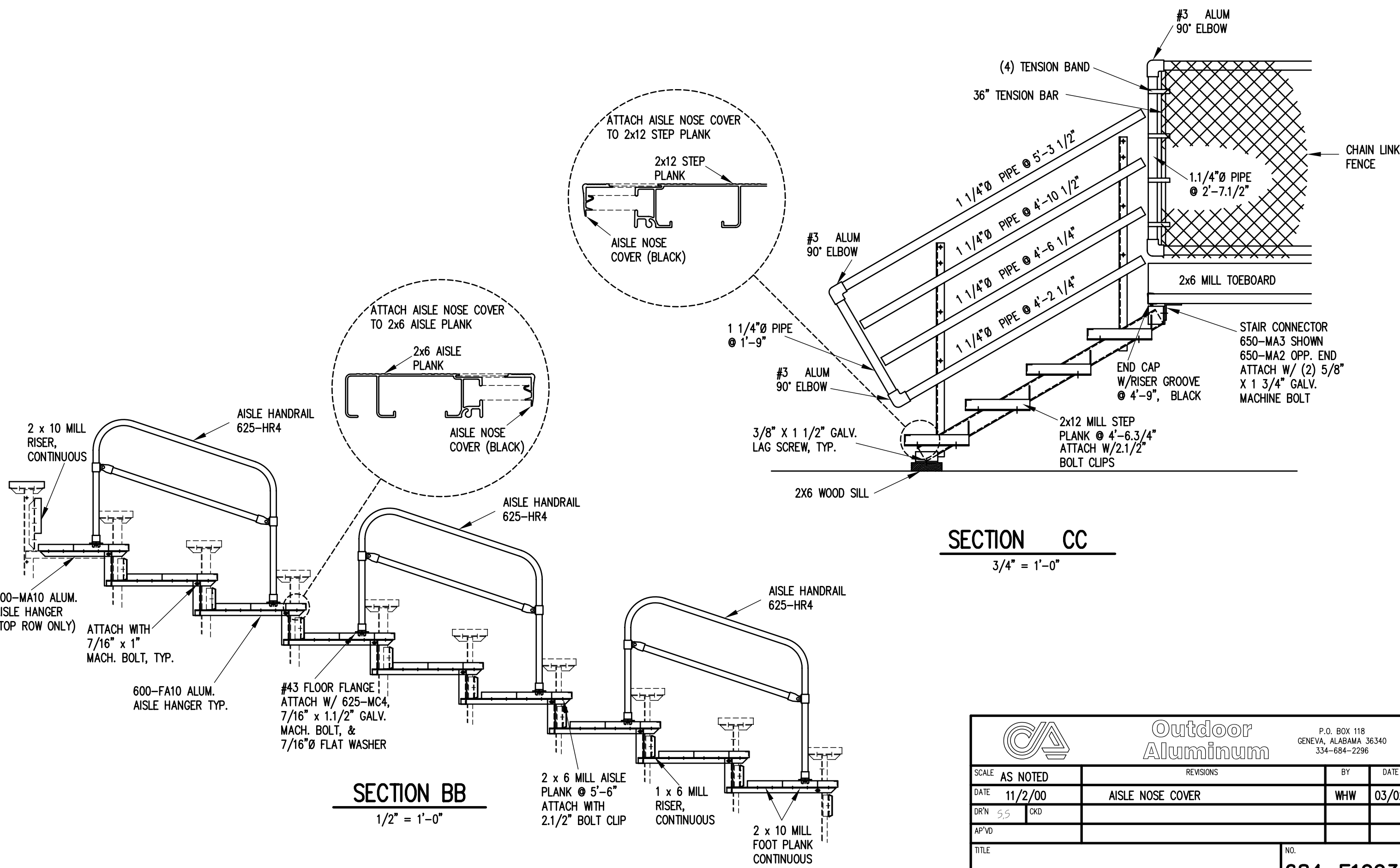


NOTE: DO NOT PLACE SIDE RAIL POST ON TOP OF END CAPS WHEN DETERMINING HOLE LOCATIONS.

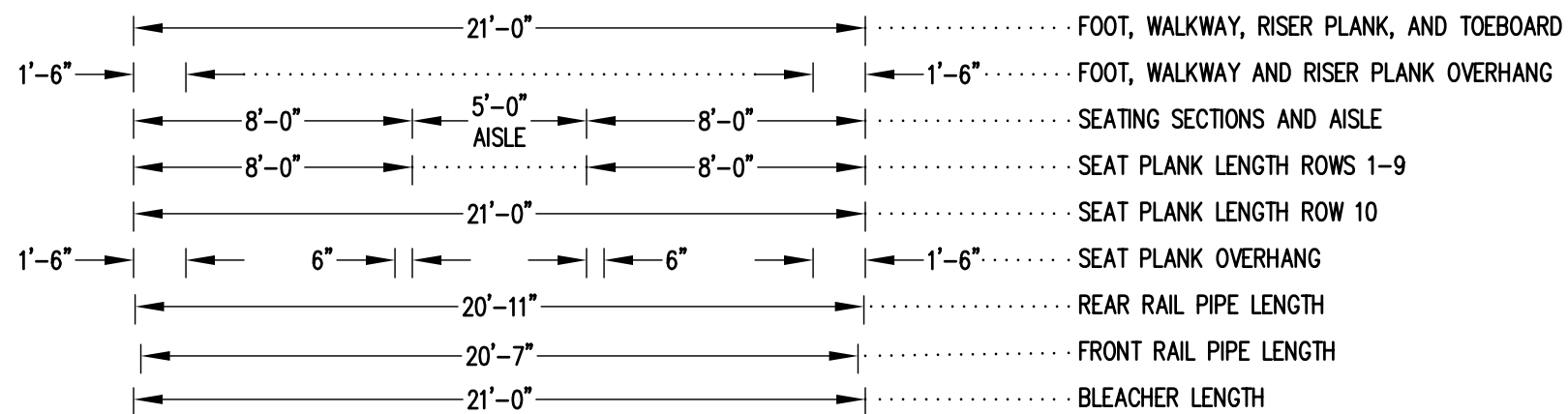
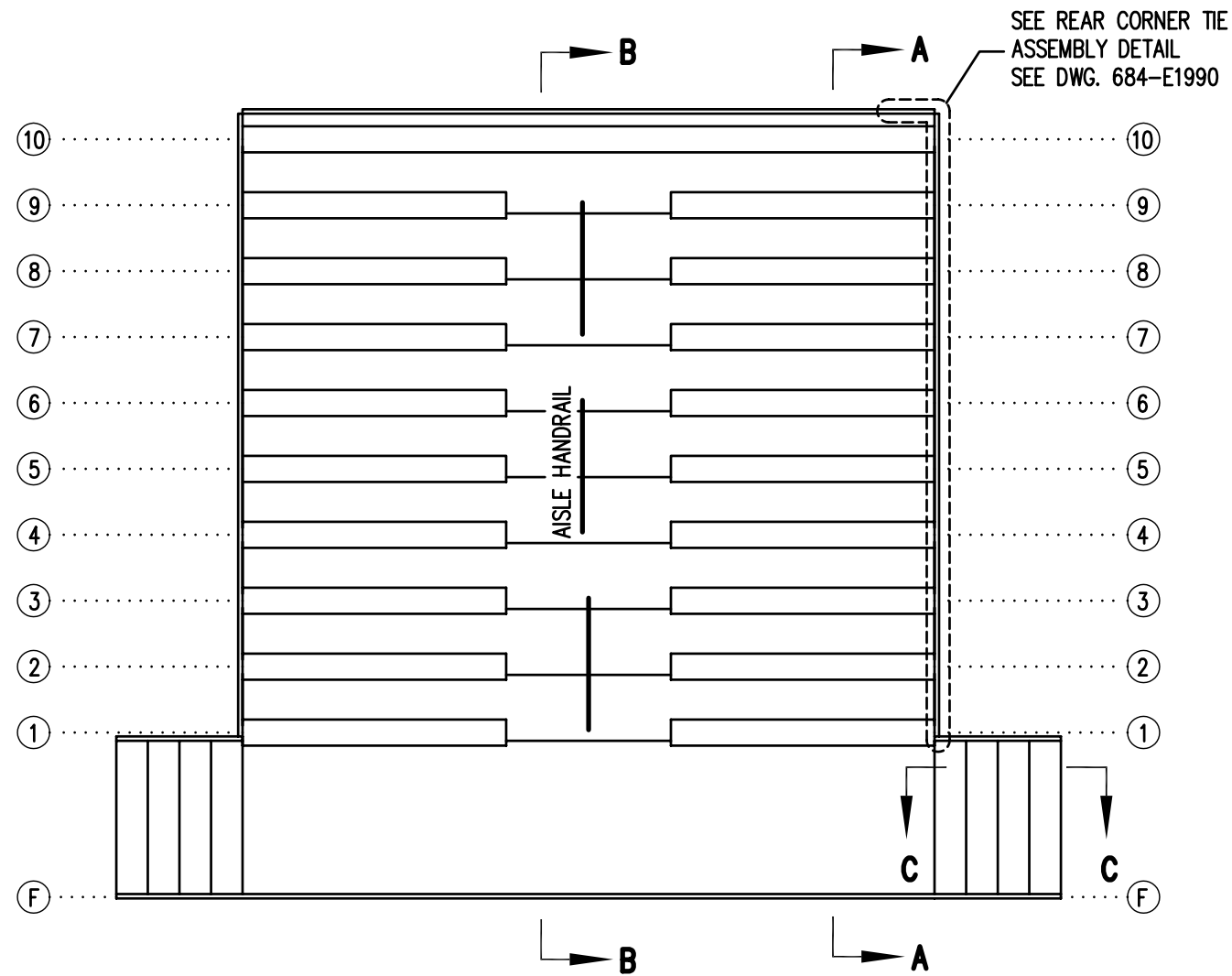
TYP. SIDE RAIL POST ATTACHMENT

1" = 1'-0"


		P.O. BOX 118 GENEVA, ALABAMA 36340 334-684-2296			
		SCALE	AS NOTED	REVISIONS	BY
DATE	11/2/00	SIDE GUARDRAIL TO OUTSIDE		WHW	03/02
DR'N	SS	CKD			
AP'VD					
TITLE				NO.	
TYPICAL DETAILS				684-E1990	

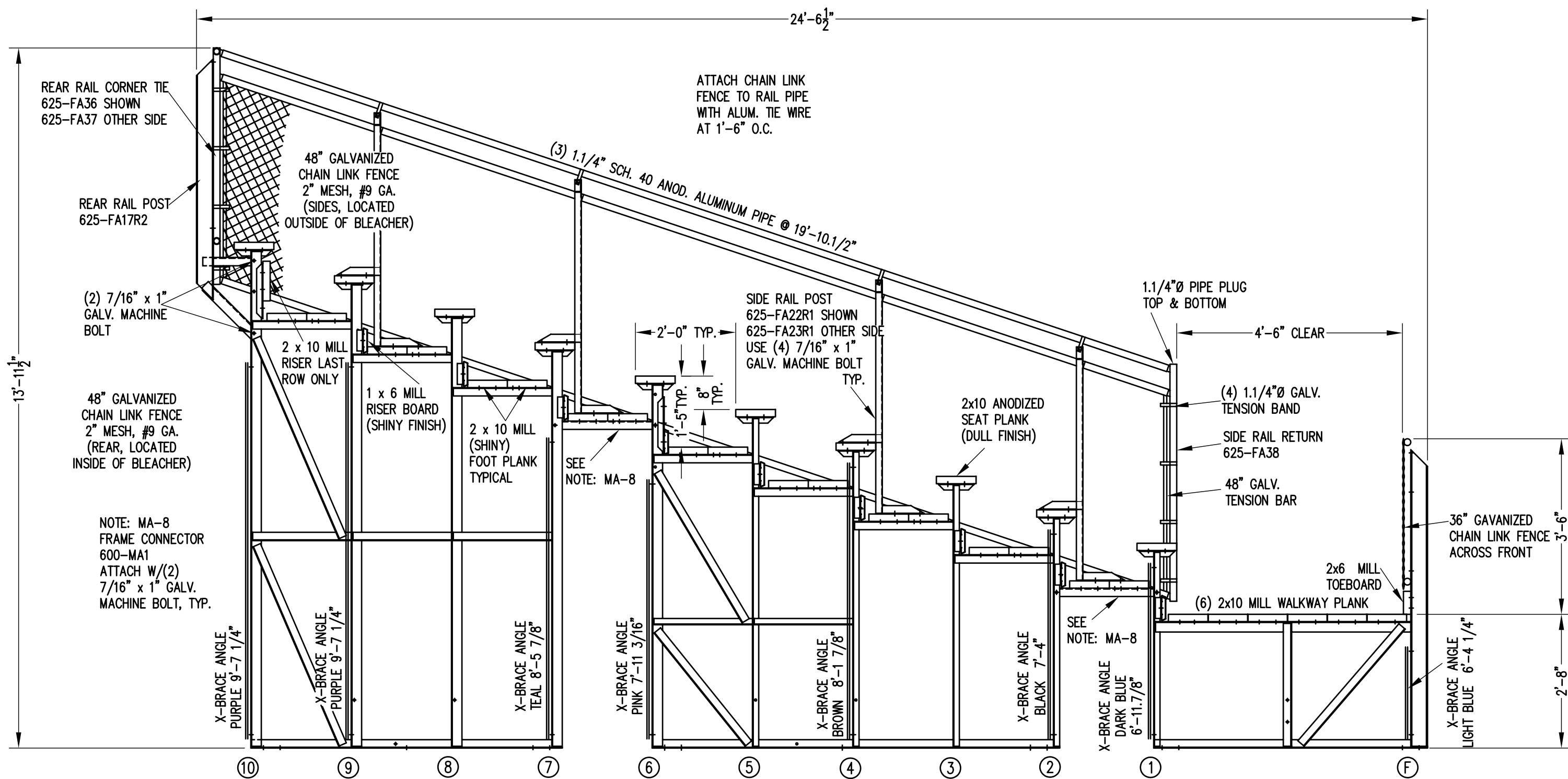


		P.O. BOX 118 GENEVA, ALABAMA 36340 334-684-2296			
		SCALE AS NOTED	REVISIONS	BY	DATE
DATE	11/2/00	AISLE NOSE COVER		WHW	03/02
DR'N	SS	CKD			
AP'VD					
TITLE				NO.	
DLWE 10 ROW AISLE & STAIR SECTION				684-E1993	




SEATING PLAN
 3/16" = 1'-0"
 104 NET SEATS @ 18" PER SEAT

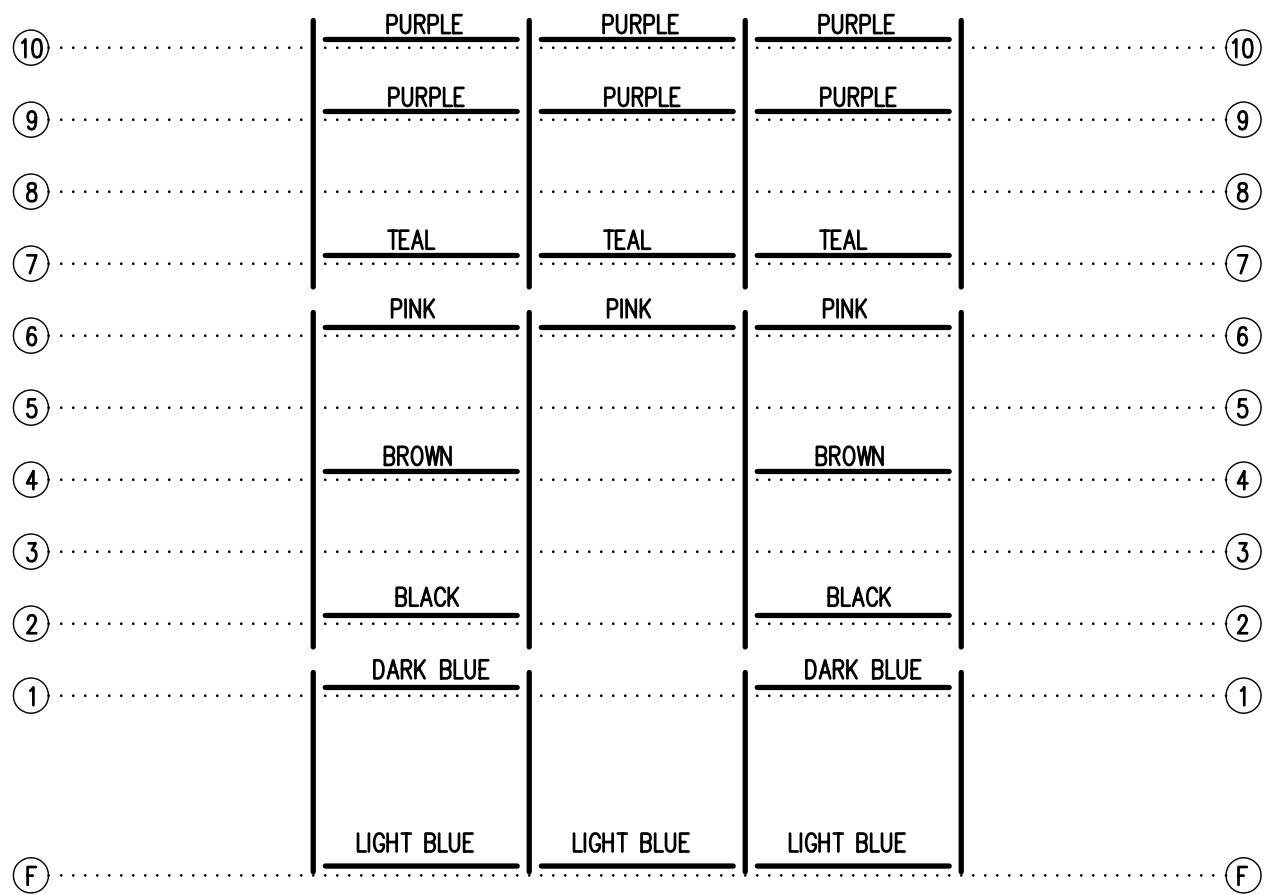
		P.O. BOX 118 GENEVA, ALABAMA 36340 334-684-2296	
		SCALE	3/16" = 1'-0"
DATE	11/30/00	REVISIONS	SIDE GUARDRAIL TO OUTSIDE
DR'N	SS CKD	BY	WHW
AP'VD		DATE	03/02
TITLE		NO.	
DLWE 10-21 SEATING PLAN		684-E2206	



SECTION AA

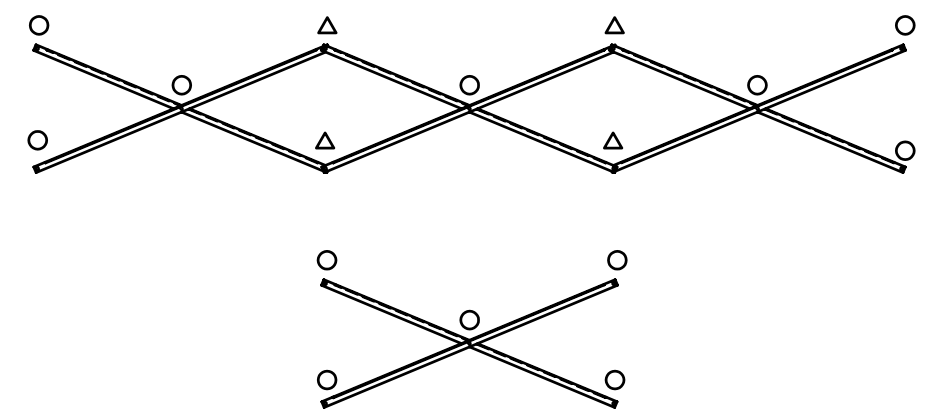
1/2" = 1'-0"

		P.O. BOX 118 GENEVA, ALABAMA 36340 334-684-2296		
		Outdoor Aluminum		
SCALE	1/2" = 1'-0"	REVISIONS	BY	DATE
DATE	11/2/00	X-BRACE FROM BLUE TO DARK BLUE	CHM	03/97
DR'N	SS CKD	SIDE GUARDRAIL TO OUTSIDE	WHW	03/02
AP'VD		FOOTBOARD SUPPORT, FA17R2, FA22R1, MA-8	RS	09/06
TITLE	DLWE 10 ROW SECTION			NO. 684-E2221




1'-6" 6'-0" 6'-0" 6'-0" 1'-6" FRAME SPACING

FRAMING PLAN
3/16" = 1'-0"



X-BRACE DETAIL

- N.T.S.
- 7/16" X 1" GALV. MACH. BOLT
 - △ 7/16" X 1.1/2" GALV. MACH. BOLT

		P.O. BOX 118 GENEVA, ALABAMA 36340 334-684-2296		
		Outdoor Aluminum		
SCALE	3/16"=1'-0"	REVISIONS	BY	DATE
DATE	11/13/00			
DR'N	SS CKD			
AP'VD				
TITLE			NO.	
DLWE 10-21 FRAMING PLAN			684-E2256	