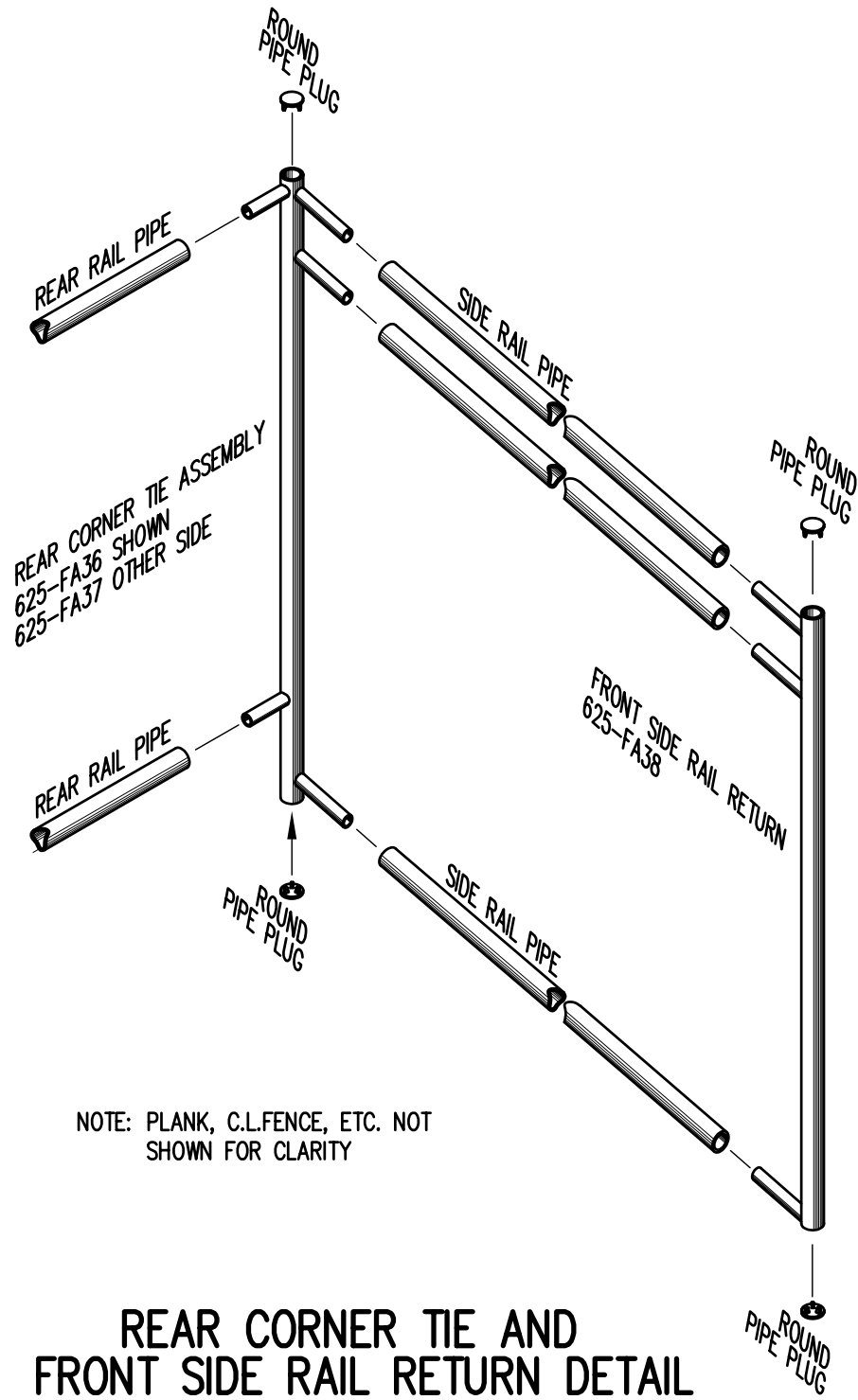


**BOLT CLIP DETAIL**

1.1/2" = 1'-0"



NOTE: PLANK, C.L.FENCE, ETC. NOT SHOWN FOR CLARITY

**REAR CORNER TIE AND FRONT SIDE RAIL RETURN DETAIL**

3/4" = 1'-0"



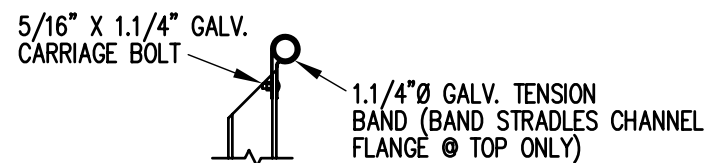
FIG.1

FIG.2

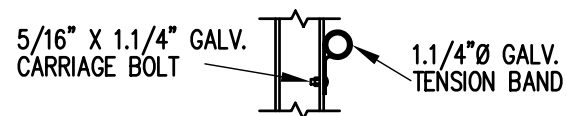
- 1) LOCATE THE CHANNEL END CAP AS SHOWN IN FIG. 1.
- 2) TAP END CAP INTO PLACE WITH RUBBER Mallet OR SOFT WOOD. FIG.2
- 3) DRILL TWO 5/32" HOLES THROUGH THE BOTTOM FLANGE AND THE BOTTOM OUTSIDE PLANK FLANGES. INSTALL TWO 3/16" x 1/4" RIVETS. (2 PER PLANK)

**END CAP DETAIL**

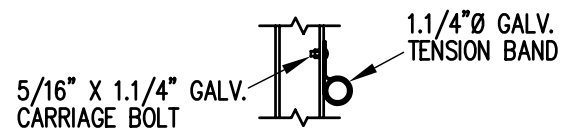
N.T.S.



**TOP RAIL**

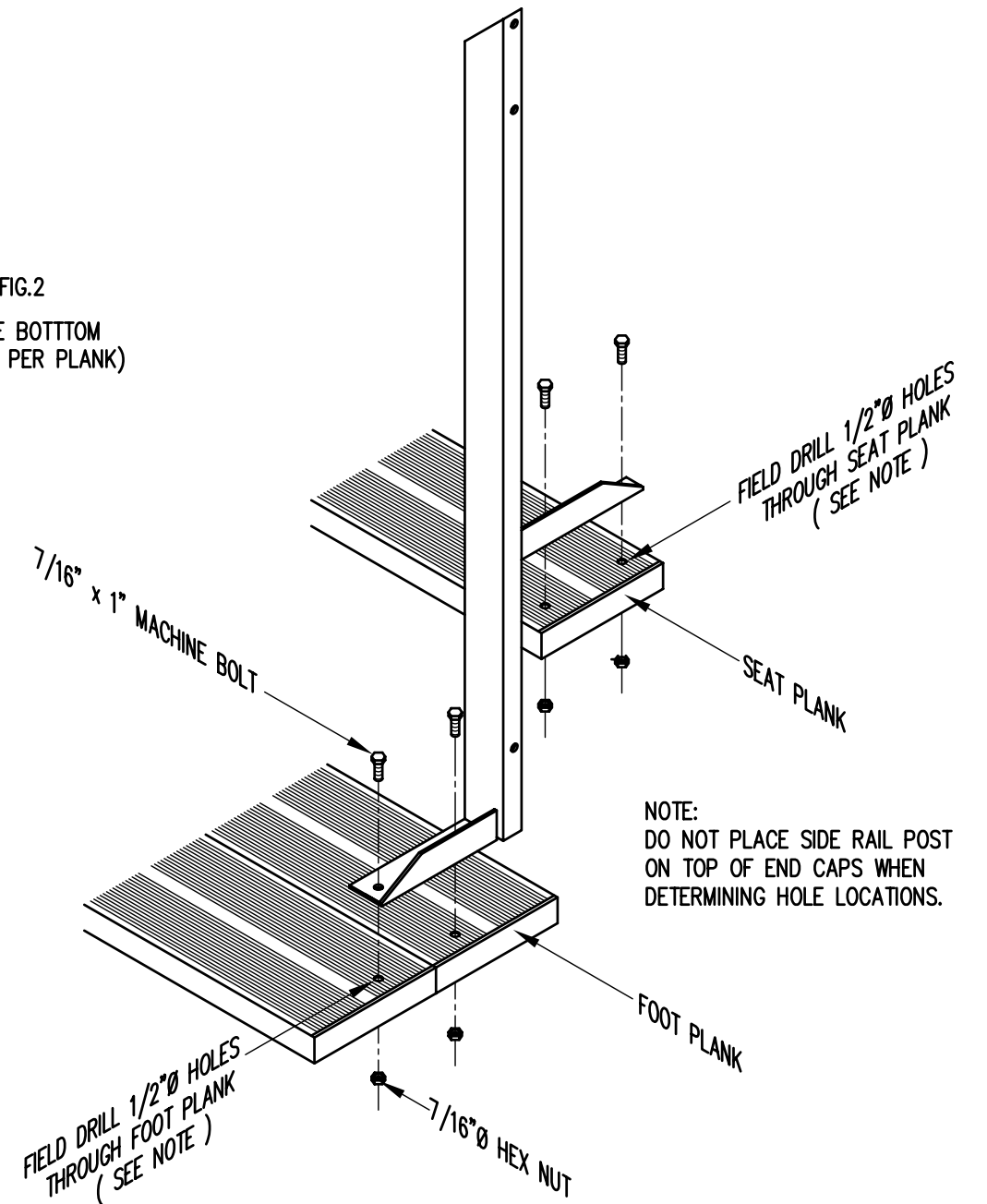


**MID RAIL**



**LOWER RAIL**

3/4" = 1'-0"

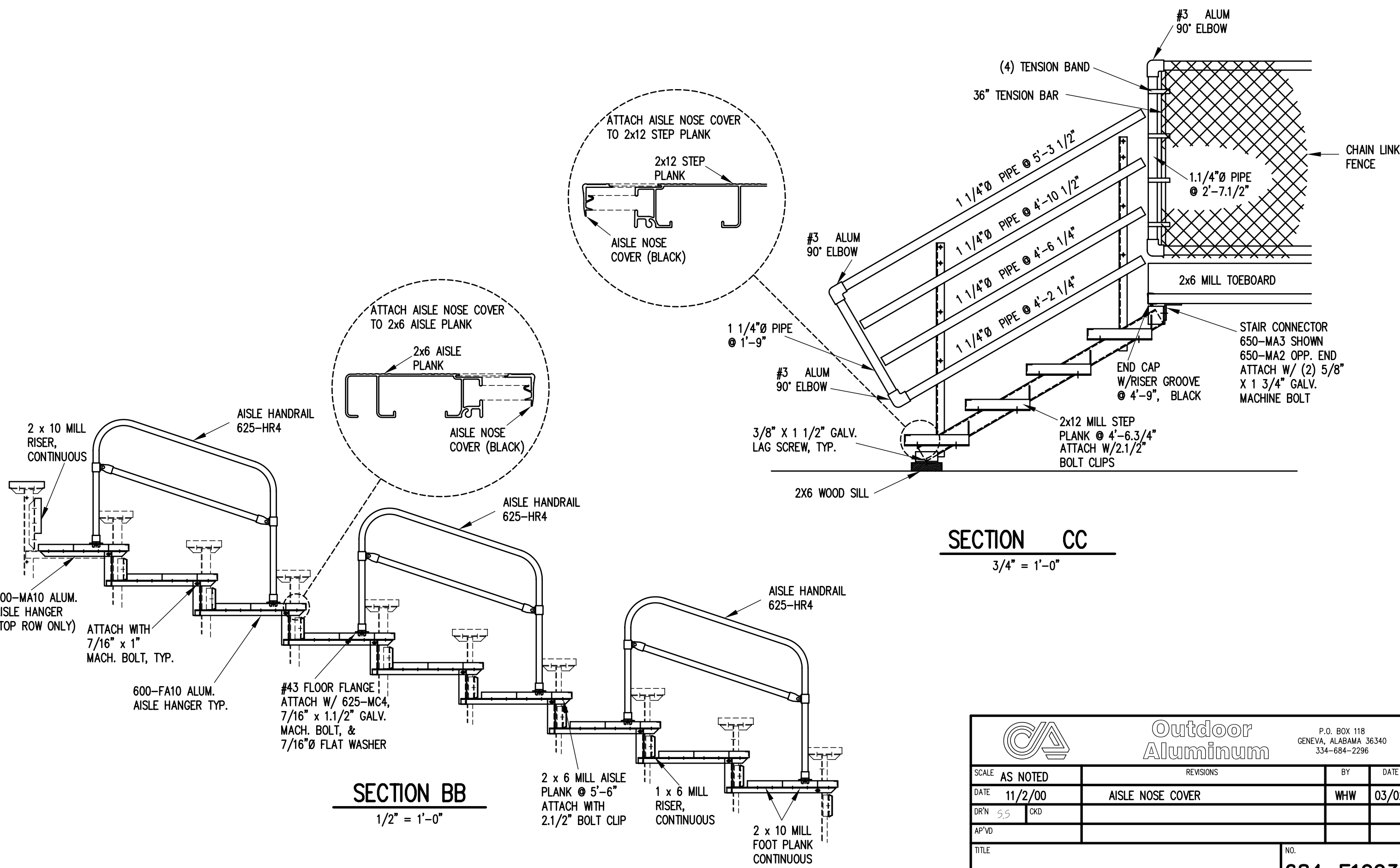


NOTE: DO NOT PLACE SIDE RAIL POST ON TOP OF END CAPS WHEN DETERMINING HOLE LOCATIONS.

**TYP. SIDE RAIL POST ATTACHMENT**

1" = 1'-0"

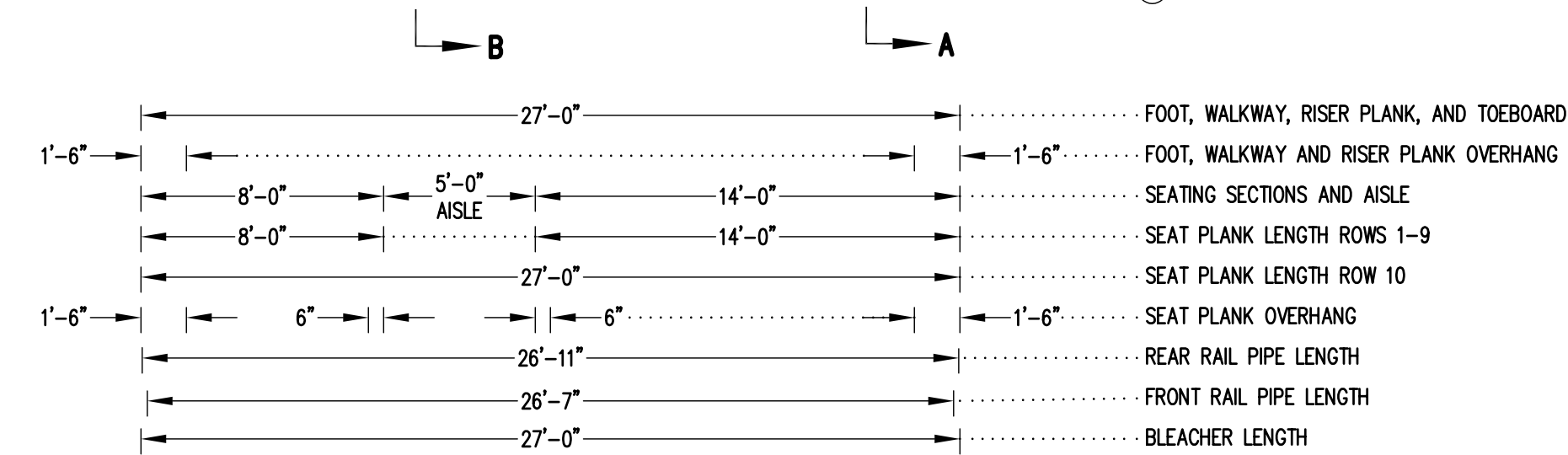
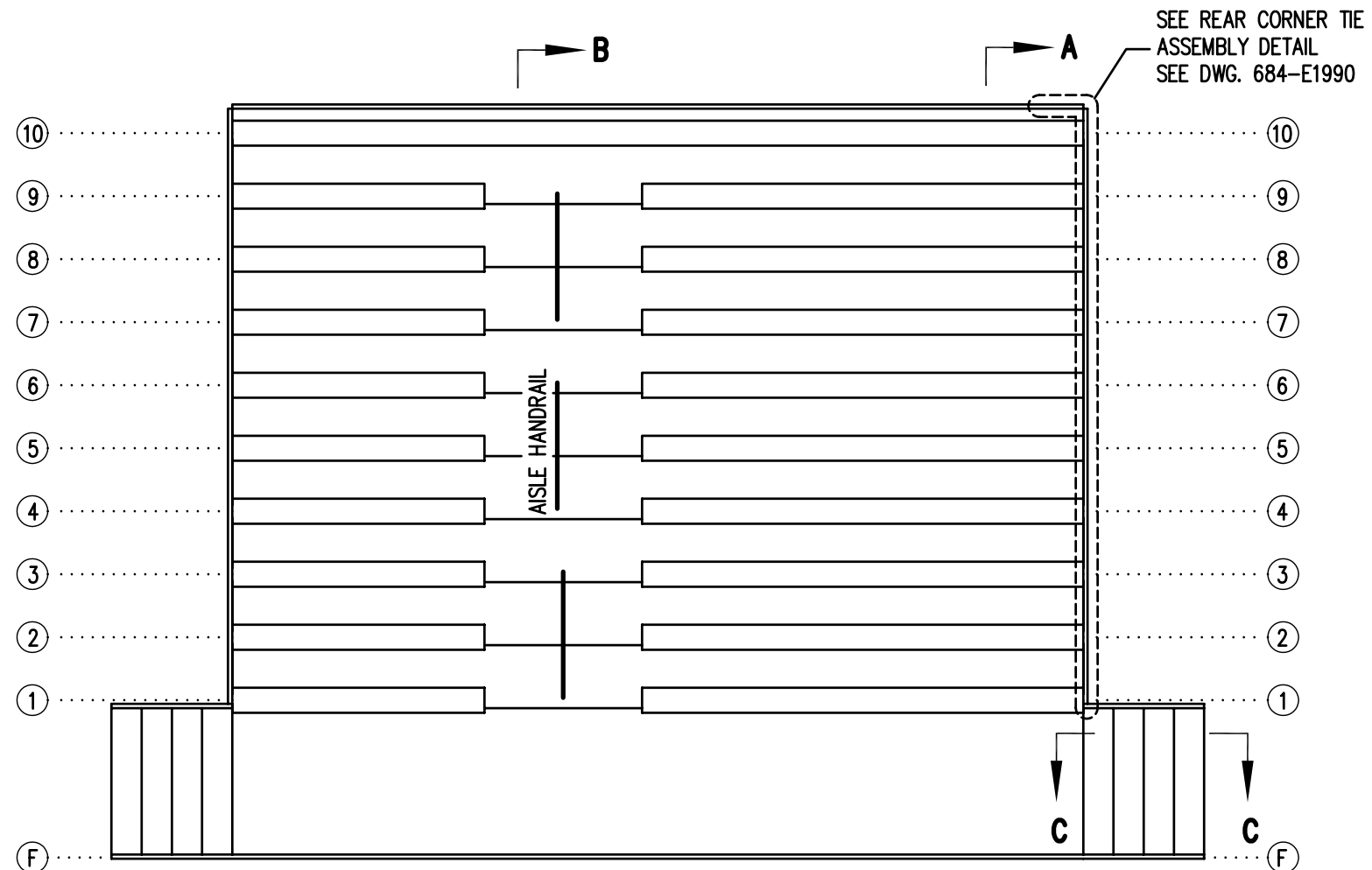
		<b>Outdoor Aluminum</b> P.O. BOX 118 GENEVA, ALABAMA 36340 334-684-2296			
				SCALE	AS NOTED
DATE	11/2/00	SIDE GUARDRAIL TO OUTSIDE		WHW	03/02
DR'N	SS	CKD			
AP'VD					
TITLE				NO.	
TYPICAL DETAILS				684-E1990	



**SECTION BB**  
1/2" = 1'-0"

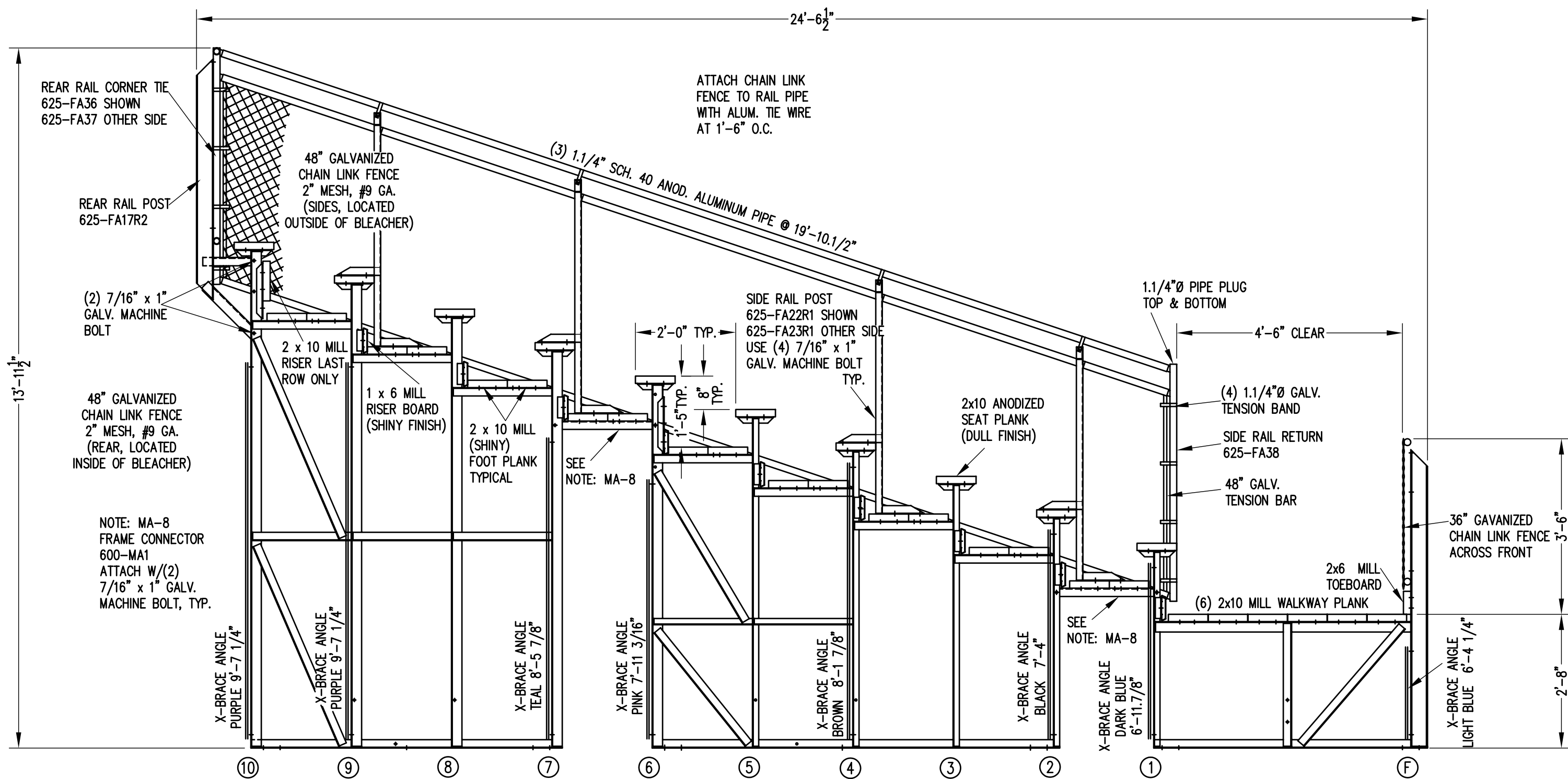
**SECTION CC**  
3/4" = 1'-0"

		P.O. BOX 118 GENEVA, ALABAMA 36340 334-684-2296			
		SCALE AS NOTED	REVISIONS	BY	DATE
DATE	11/2/00	AISLE NOSE COVER		WHW	03/02
DR'N	SS	CKD			
AP'VD					
TITLE				NO.	
DLWE 10 ROW AISLE & STAIR SECTION				684-E1993	



**SEATING PLAN**  
 $3/16" = 1'-0"$   
 144 NET SEATS @ 18" PER SEAT

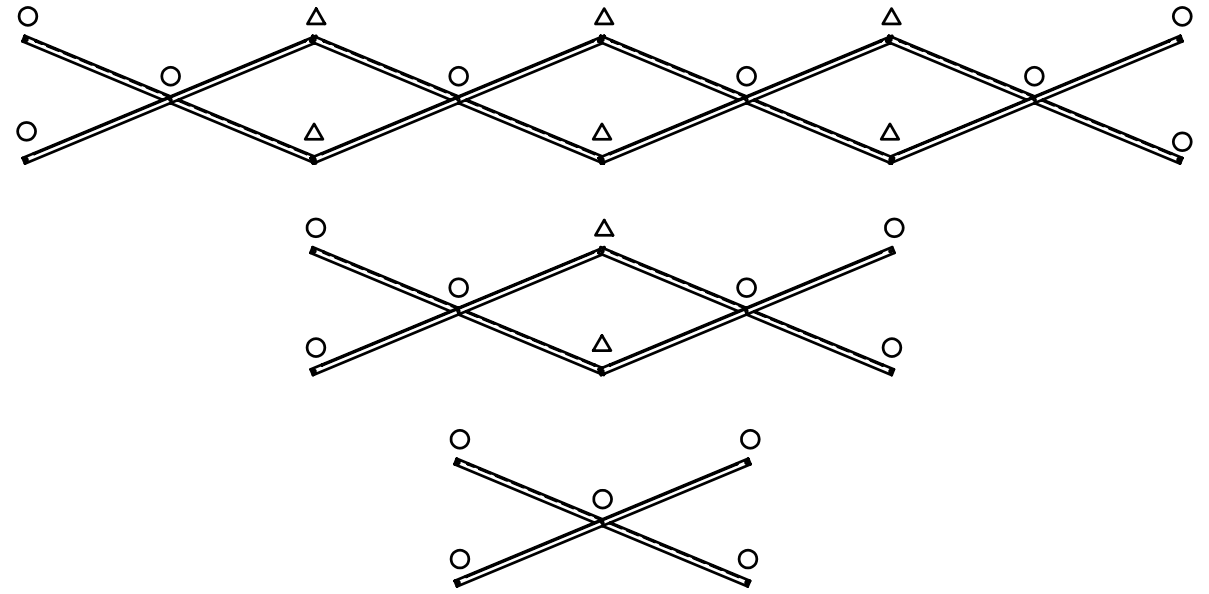
		P.O. BOX 118 GENEVA, ALABAMA 36340 334-684-2296			
		SCALE	REVISIONS	BY	DATE
DATE	11/30/00	SIDE GUARDRAIL TO OUTSIDE		WHW	03/02
DR'N	SS	CKD			
AP'VD					
TITLE				NO.	
DLWE 10-27 SEATING PLAN				684-E2211	



**SECTION AA**

1/2" = 1'-0"

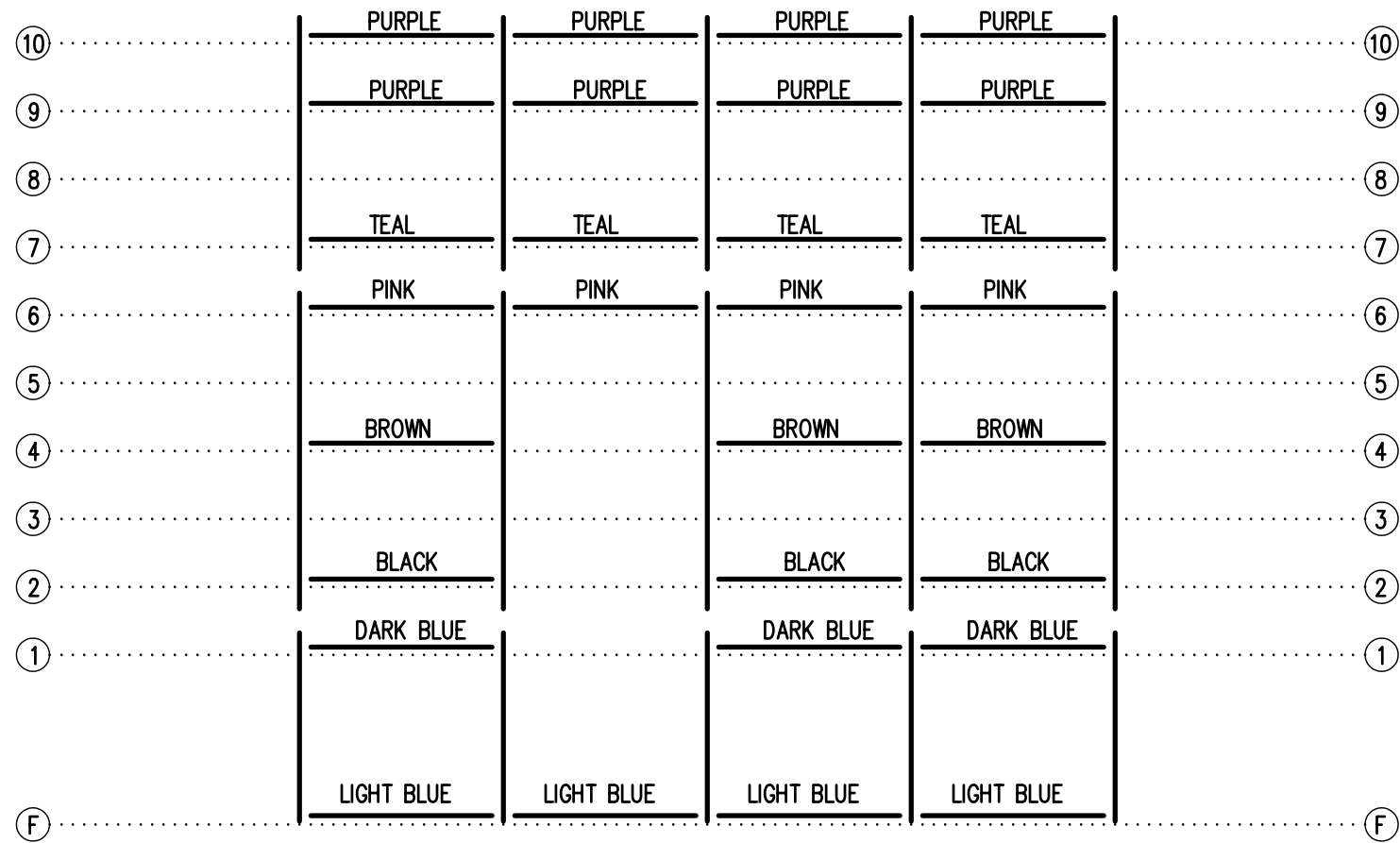
		P.O. BOX 118 GENEVA, ALABAMA 36340 334-684-2296	
		SCALE	1/2" = 1'-0"
DATE	11/2/00	REVISIONS	
DR'N	SS CKD	X-BRACE FROM BLUE TO DARK BLUE	CHM 03/97
AP'VD		SIDE GUARDRAIL TO OUTSIDE	WHW 03/02
TITLE	DLWE 10 ROW SECTION	FOOTBOARD SUPPORT, FA17R2, FA22R1, MA-8	RS 09/06
		NO.	<b>684-E2221</b>



**X-BRACE DETAIL**


N.T.S.

- 7/16" X 1" GALV. MACH. BOLT
- △ 7/16" X 1.1/2" GALV. MACH. BOLT



1'-6" | 6'-0" | 6'-0" | 6'-0" | 6'-0" | 1'-6" ..... FRAME SPACING

**FRAMING PLAN**  
3/16" = 1'-0"

		<b>Outdoor Aluminum</b> P.O. BOX 118 GENEVA, ALABAMA 36340 334-684-2296	
DATE 11/13/00			
DR'N SS	CKD		
AP'VD			
TITLE DLWE 10-27 FRAMING PLAN			NO. 684-E2261