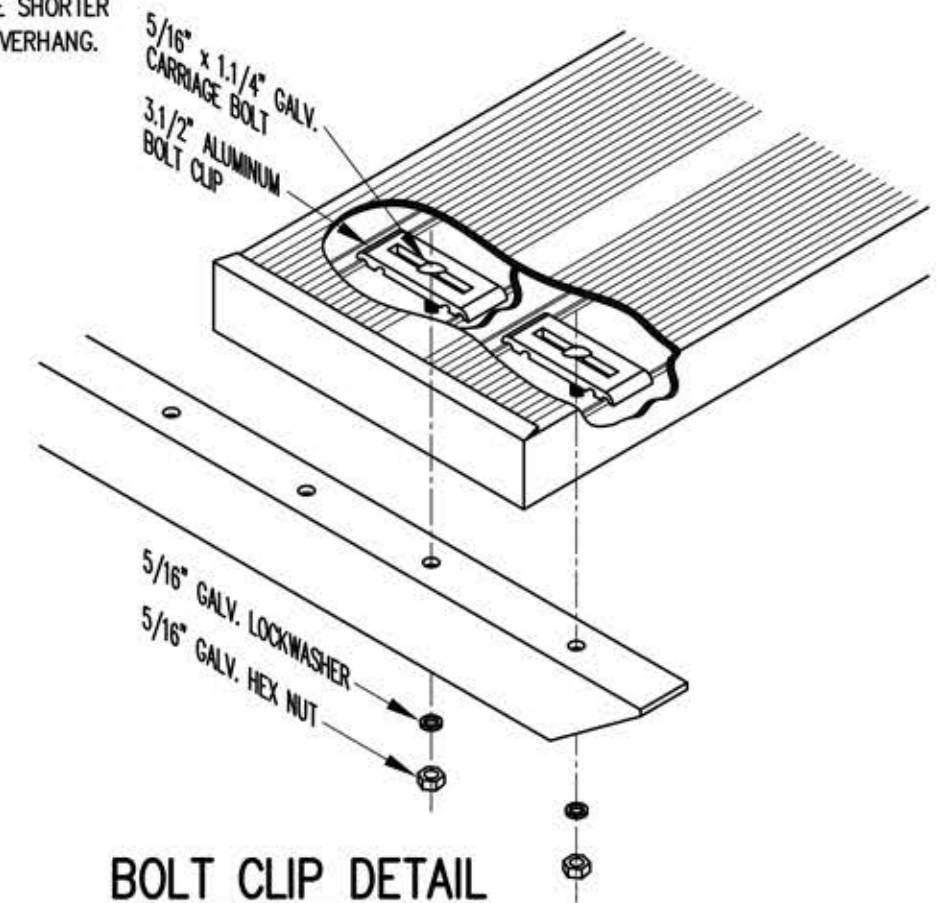
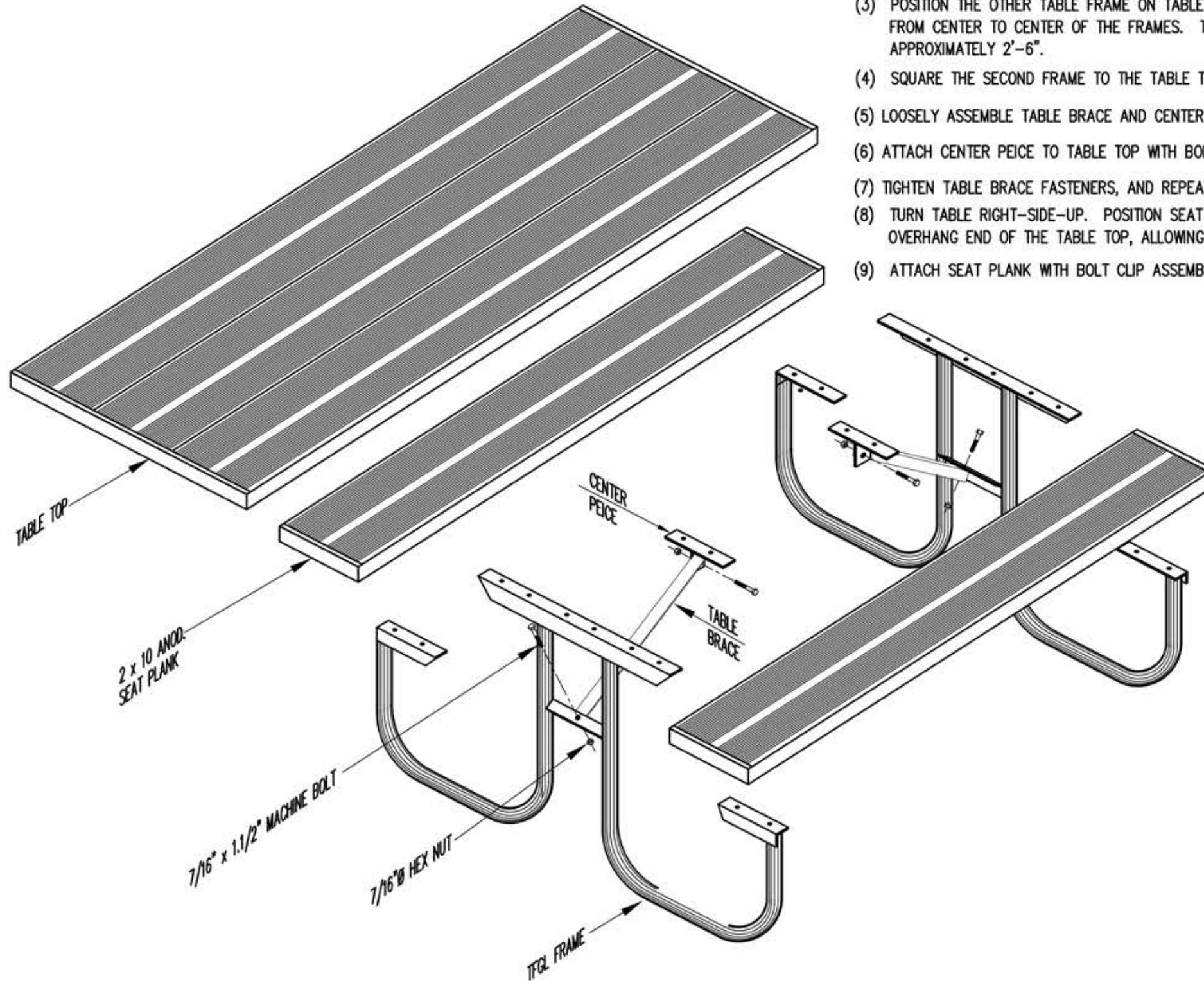


HTFGL PICNIC TABLE

(HANDICAP TABLE FRAME GALVANIZED LIGHT)

- (1) PLACE TABLE TOP UP-SIDE-DOWN ON GROUND.
- (2) POSITION ONE TABLE FRAME ON TABLE TOP, ALLOWING 6" OVERHANG TO ONE END OF THE TOP. SQUARE THE FRAME TO THE TABLE TOP AND ATTACH WITH BOLT CLIP ASSEMBLIES AS SHOWN.
- (3) POSITION THE OTHER TABLE FRAME ON TABLE TOP ALLOWING FOR A 5'-0" DISTANCE, MEASURING FROM CENTER TO CENTER OF THE FRAMES. THE TABLE TOP OVERHANG FROM THIS FRAME WILL BE APPROXIMATELY 2'-6".
- (4) SQUARE THE SECOND FRAME TO THE TABLE TOP AND ATTACH WITH BOLT CLIP ASSEMBLIES.
- (5) LOOSELY ASSEMBLE TABLE BRACE AND CENTER PEICE TO TABLE FRAME WITH 7/16" x 1.1/2" MACHINE BOLTS AND HEX NUTS.
- (6) ATTACH CENTER PEICE TO TABLE TOP WITH BOLT CLIP ASSEMBLIES.
- (7) TIGHTEN TABLE BRACE FASTENERS, AND REPEAT ASSEMBLY FOR OPPOSITE TABLE BRACE AND CENTER PEICE.
- (8) TURN TABLE RIGHT-SIDE-UP. POSITION SEAT PLANK, ALIGN WITH THE SHORTER OVERHANG END OF THE TABLE TOP, ALLOWING FOR 6" SEAT PLANK OVERHANG.
- (9) ATTACH SEAT PLANK WITH BOLT CLIP ASSEMBLIES.



BOLT CLIP DETAIL

SAF

SIGHTLINES
ATHLETIC FACILITIES
CRESTWOOD, KY
800-609-1545