

BOLT CLIP SCHEDULE	
3.1/2" BOLT CLIP REQUIRED FOR	2.1/2" BOLT CLIP REQUIRED FOR
2 x 12 PLANK	2 x 8 PLANK
2 x 10 PLANK	2 x 12 STEP
2 x 6 BACKREST	2 x 8 AISLE

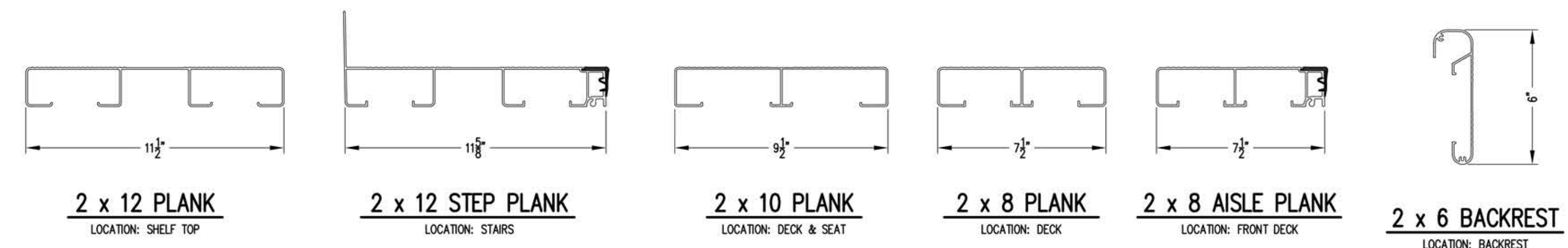
ASSEMBLY SEQUENCE

FAMILIARIZE YOURSELF WITH PROVIDED DRAWINGS AND DETAILS AND PROCEED AS FOLLOWS:

- ASSEMBLE X-BRACE TOGETHER WITH CENTER BOLT.
- ATTACH X-BRACE TO FRAME FA-1.
- ATTACH FRAME FA-2 TO X-BRACE.
- INSTALL GUARDRAIL FA-3 BETWEEN FRAMES.
- INSTALL CASTORS AT LOCATIONS SHOWN.
- PLACE DECK SECTIONS FA-5 AND FA-6 INTO POSITION, SQUARE FRAMES AS REQUIRED, AND ATTACH WITH BOLT CLIP ASSEMBLIES.
- LOCATE ALL STEP PLANK INTO POSITION, LOOSELY ATTACHING BOLT CLIP ASSEMBLIES, BEGINNING WITH THE TOP STEP, THE LEADING LOWER EDGE OF THE PLANK SHOULD OVERHANG THE FRONT OF EACH SUPPORT ANGLE BY ONE INCH.
- PULL EACH FRAME TIGHTLY TO EDGE OF STEP PLANK AND TIGHTEN BOLT CLIPS. NOTE: THIS IS MOST EASILY ACCOMPLISHED BY SURROUNDING A RATCHET STRAP AROUND THE LOWER STAIR CHANNELS AND PULLING SNUG.
- INSTALL WDS RISER ON STEPS - SEE DETAIL ON SECTION C-E1 AND RIVET. LOCATION SPACING ON PLAN. RIVETS REQUIRE A 5/32" HOLE.
- SLIDE STAIR HANDRAILS HR-1 INTO SOCKETS ON FA-1 AND FA-2, AND LOCK INTO PLACE WITH SET SCREWS LOCATED ON UNDERSIDE OF EACH SOCKET.
- PLACE SHELF FA-7 INTO POSITION AND ATTACH WITH BOLT CLIP ASSEMBLIES.
- PLACE (4) SEAT SUPPORTS FA-4 INTO POSITION AND FASTEN WITH 5/16" x 3" CARRIAGE BOLTS, LOCK WASHERS, HEX NUTS, AND BACKER ANGLE MA-2 AS SHOWN.
- PLACE SEAT PLANK FA-8 ONTO LOCATION PER DRAWING AND ATTACH WITH BOLT CLIP ASSEMBLIES.
- INSTALL BACKREST SUPPORTS 400-MC2 AND BACKREST PLANK PER DRAWING.

RECOMENDED TOOLS

- (2) 9/16" COMBINATION WRENCH
- 5/8" COMBINATION WRENCH
- 11/16" COMBINATION WRENCH
- 1/2" DEEP SOCKET WITH RATCHET & SHORT EXTENSION
- 1/2" COMBINATION WRENCH
- 3/16" ALLEN WRENCH
- 12"-14" RATCHET STRAP
- POWER DRILL WITH 5/32" METAL CUTTING DRILL BIT
- POP RIVET GUN



SIGHTLINES ATHLETIC FACILITIES
CRESTWOOD, KY
800-609-1545