

PLEASE READ THROUGH INSTRUCTIONS ONCE BEFORE ASSEMBLING

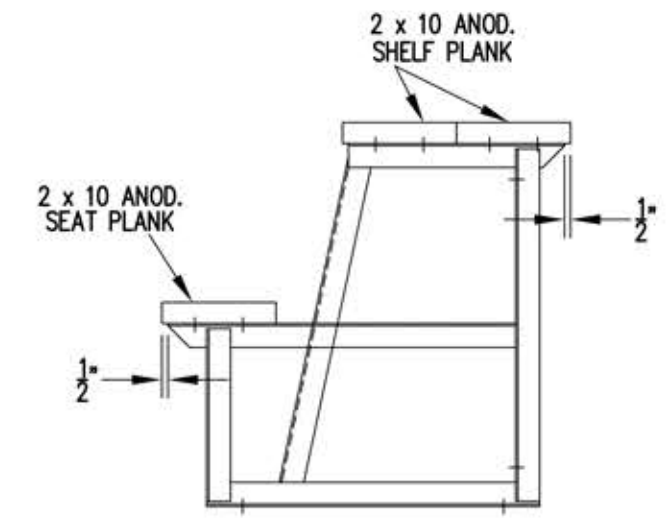
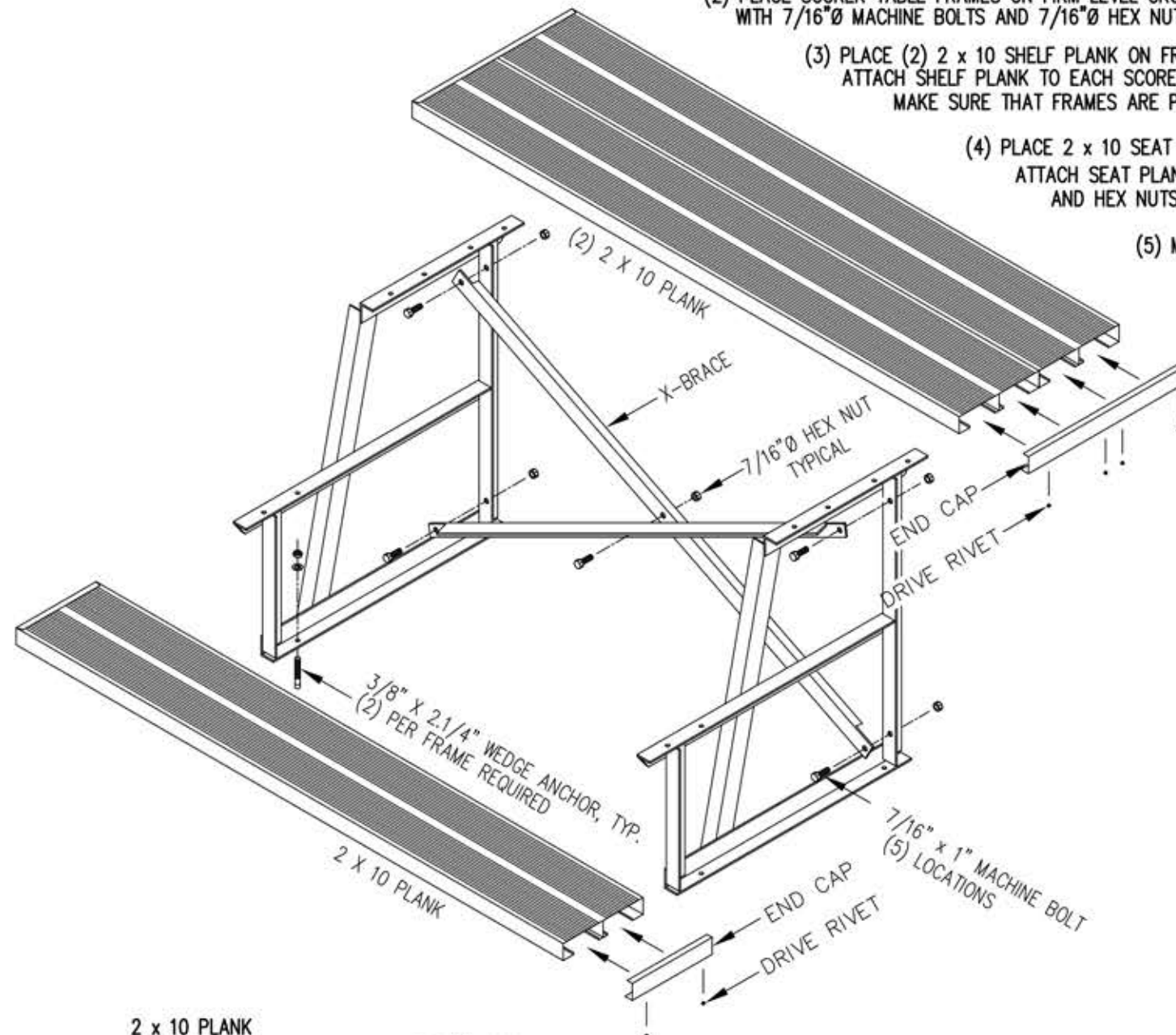
(1) SLIP ON CHANNEL END CAPS (ONE ON EACH END OF PLANKS). IF NECESSARY, TAP LIGHTLY WITH A WOOD BLOCK OR RUBBER Mallet. TAP ONLY ON THE CORNERS OF THE CHANNEL END CAPS. LONG LEG OF THE CHANNEL END CAPS SHOULD BE PLACED ON THE UNDERSIDE OF PLANKS. DRILL  $3/16"$  HOLES THROUGH CHANNEL END CAP AND PLANKS, AS SHOWN ON DRAWING. INSERT DRIVE RIVETS INTO THE HOLES AND HIT FIRMLY WITH A HAMMER.

(2) PLACE SCORER TABLE FRAMES ON FIRM LEVEL GROUND APPROXIMATELY SIX FEET APART. ATTACH X-BRACE TO FRAMES AS SHOWN ON DRAWING WITH  $7/16"$  MACHINE BOLTS AND  $7/16"$  HEX NUTS.

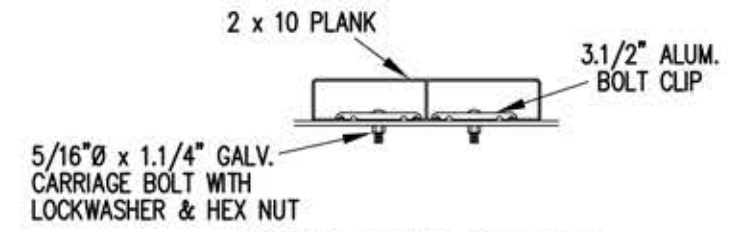
(3) PLACE (2) 2 x 10 SHELF PLANK ON FRAMES SO THAT THE PLANK DOES NOT OVERHANG THE END MOST FRAMES MORE THAN 1'-6" ATTACH SHELF PLANK TO EACH SCORER TABLE FRAME USING (4) BOLT CLIPS,  $5/16"$  x  $1.1/4"$  CARRIAGE BOLTS, LOCK WASHERS AND HEX NUTS. (SEE BOLT CLIP DETAIL) MAKE SURE THAT FRAMES ARE PERPENDICULAR TO SHELF PLANKS.

(4) PLACE 2 x 10 SEAT PLANK AGAINST TABLE FRAMES SO THE END OF THE PLANK IS ALIGNED WITH PREVIOUSLY MOUNTED PLANK. ATTACH SEAT PLANK TO EACH SCORER TABLE FRAME USING (2) BOLT CLIPS,  $5/16"$  x  $1.1/4"$  CARRIAGE BOLTS, LOCK WASHERS, AND HEX NUTS.

(5) MOVE ASSEMBLED TABLE TO FINAL LOCATION. ATTACH TO CONCRETE WITH PROVIDED WEDGE ANCHORS.



**END VIEW**



**BOLT CLIP DETAIL**



SIGHTLINES  
ATHLETIC FACILITIES  
CRESTWOOD, KY  
800-609-1545